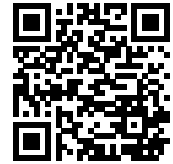


ZS1052-1610 | Plug termination resistor CANopen/DeviceNet, IP67



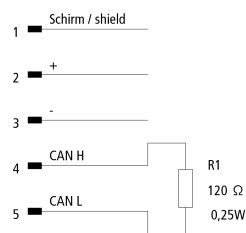
M12, plug, straight, male, 5-pin, A-coded



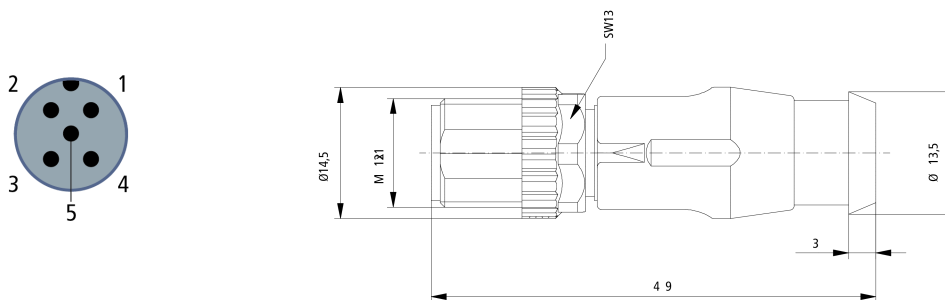
Electrical data	
Rated voltage	60 V (according to IEC 61076-2-101)
Insulation resistance	≥ 100 MΩ (according to IEC 60512)
Mechanical data	
Installation size	M12
Connector type	plug
Configuration	straight
Contact type	male
Number of positions (face)	5-pin
Coding	A-coded
Recommended torque, nut	0.6 Nm
Mating cycles	≥ 100 (according to IEC 60512-9a)
Way of locking	screw
Weight per piece	0.011 kg (0.0242 lb)
Body color	black
Body material	TPU, UL 94 HB
Coupling nut material	GD-Zn, Ni

Contact carrier material	PA, UL 94 V-0
Contact material	CuZn, Ni b/Au 0.2 gal.
Environmental data	
RoHS compliant	yes, acc. to directive 2011/65/EU
Ambient temperature (operation)	-30...+80°C, -22...+176°F
Protection rating	IP65/67 in screwed condition (according to IEC 60529)
Pollution level	3/2 (according to IEC 60664-1)
UL	yes, UL E-file number: E202784

Contact assembly



Dimensions



A1	49.00 mm
A2	Ø 14.50 mm

Notes

- Illustrations similar

Ordering information

ZS1052-1610	Plug termination resistor CANopen/DeviceNet, IP67, M12, straight, male, 5-pin, A-coded
-------------	--

Accessories

ZB8801-0000	torque wrench for hexagonal plugs, adjustable
-------------	---

ZB8801-0003

torque cable key, M12F/wrench size 18, for ZB8801-0000



Products marked with a crossed-out wheeled bin shall not be discarded with the normal waste stream. The device is considered as waste electrical and electronic equipment. The national regulations for the disposal of waste electrical and electronic equipment must be observed.

Beckhoff®, TwinCAT®, TwinCAT/BSD®, TC/BSD®, EtherCAT®, EtherCAT G®, EtherCAT G10®, EtherCAT P®, Safety over EtherCAT®, TwinSAFE®, XFC®, XTS® and XPlanar® are registered trademarks of and licensed by Beckhoff Automation GmbH. Other designations used in this publication may be trademarks whose use by third parties for their own purposes could violate the rights of the owners.

© Beckhoff Automation GmbH & Co. KG 06/2024

The information provided in this brochure contains merely general descriptions or characteristics of performance which in case of actual application do not always apply as described or which may change as a result of further development of the products. An obligation to provide the respective characteristics shall only exist if expressly agreed in the terms of contract.