

ZK2000-3621-0xxx | Sensor cable, PUR, 3 x 0.25 mm², drag-chain suitable



M8, socket, straight, female, 4-pin, A-coded – M8, plug, straight, male, 3-pin, A-coded



Plugs

Electrical data	Head A	Head B
Rated voltage	30 V (according to IEC 61076-2-104)	60 V (according to IEC 61076-2-104)
Rated current	4 A at 40°C (leaning on IEC 61076-2-104)	-
Rated current (signal/24V)	-	4 A at 40 °C (acc.to IEC 61076-2-104)
Shielding	no	no
Insulation resistance	≥ 10 GΩ (according to IEC 60512-2)	≥ 10 GΩ (according to IEC 60512-2)
Mechanical data		
Installation size	M8	M8
Connector type	socket	plug
Configuration	straight	straight
Contact type	female	male
Number of positions (face)	4-pin	3-pin
Coding	A-coded	A-coded
Wire termination	-	crimp connection

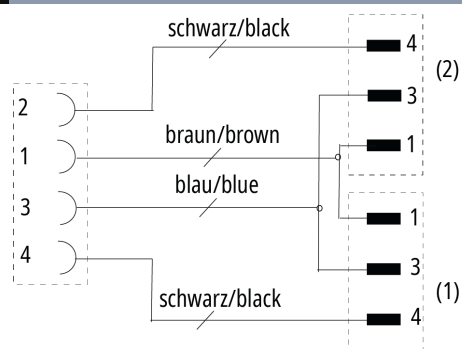
Recommended torque, nut	0.4 Nm	0.4 Nm
Mating cycles	≥ 100 (according to IEC 60512-9a)	≥ 100 (according to IEC 60512-9a)
Way of locking	screw	screw
Weight per piece	0.028 kg (0.0617 lb)	0.028 kg (0.0617 lb)
Body color	black	black
Body material	TPU, UL94	TPU, UL94
Coupling nut material	CuZn, Ni	CuZn, Ni
Seal	FPM	FPM
Contact carrier color	red	red
Contact carrier material	TPU GF, UL 94	TPU GF, UL 94
Contact plating	Ni, Au gal.	Ni, Au gal.
Contact material	CuZn	CuZn
Environmental data		
Special features	halogen-free, flame-resistant as per IEC 60332-1-2, oil-resistant as per DIN EN 60811-2-1	halogen-free, flame-resistant as per IEC 60332-1-2, oil-resistant as per DIN EN 60811-2-1
RoHS compliant	yes	yes
Ambient temperature (operation)	-30...+80°C, -22...+176°F	-30...+80°C, -22...+176°F
Protection rating	IP65/67 in screwed condition (according to IEC 60529)	IP67 in screwed condition (according to IEC 60529)
Pollution level	3/2 (according to IEC 60664-1)	3/2 (according to IEC 60664-1)

Cable

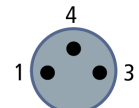
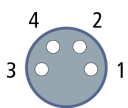
Electrical data		
Rated voltage	≤ 300 V	
Insulation resistance	≥ 10 GΩ (according to IEC 60512-2)	
Wire resistance (signal/24V)	≤ 58.0 Ω/km (20°C)	
Test voltage	≥ 3000 V	
Mechanical data		
Conductor construction (signal/24V)	32 x 0.10 mm	
Cross-section	4 x 0.25 mm ² (AWG24)	
Outer cable diameter	4.4 mm ± 0.15 mm (0.173" ± 0.0059")	
Min. bending radius, moved	6 x outer cable diameter	
Weight	28 kg/km (18.8 lb/1000 ft)	
Shielding	no	
Use	drag-chain suitable	
Max. acceleration	10 m/s ²	

Max. speed	5 m/s
Max. number of cycles	10 million at max. 20 m travel distance, 2 million at max. 100 m travel distance
Jacket color	black
Material jacket	PUR (polyurethane)
Wire color code	white, blue, black, brown
Wire insulation material	PP (polypropylene)
Printing color	white
Environmental data	
Operation temperature range, moved	-25...+80°C, -13...+176°F
Special features	Class 6 according to IEC 60228
Flame-retardant	according to cULus 20549
Halogen-free	DIN VDE 0472 part 815
CE	yes
UL	no, UL certification in preparation

Contact assembly



Dimensions



A1	34.00 mm
A2	Ø 10.1 mm
B1	39.60 mm
B2	Ø 10.1 mm

Notes

- Depending on the cable length (L), the following length tolerances apply:
0 m...<0.2 m: ± 10 mm | 0.2...4.0 m: + 40 mm | ≥ 4.0 m: + 1%

- Illustrations similar
- Further cable length on request.

CE, UL	
CE	yes

Ordering information	Length
ZK2000-3621-0002	0.20 m

Accessories	
ZB8801-0000	torque wrench for hexagonal plugs, adjustable
ZB8801-0001	torque cable key, M8/wrench size 9, for ZB8801-0000
ZB8801-0002	torque cable key, M12/wrench size 13, for ZB8801-0000
ZB8803-0001	Flange/Panel feed-through for M8 pre-assembled, for fixing the connector, plastic, including screws, washers and lock nuts
ZB8803-0003	Flange/Panel feed-through for M12 pre-assembled, for fixing the connector, plastic, including screws, washers and lock nuts



Products marked with a crossed-out wheeled bin shall not be discarded with the normal waste stream. The device is considered as waste electrical and electronic equipment. The national regulations for the disposal of waste electrical and electronic equipment must be observed.

Beckhoff®, TwinCAT®, TwinCAT/BSD®, TC/BSD®, EtherCAT®, EtherCAT G®, EtherCAT G10®, EtherCAT P®, Safety over EtherCAT®, TwinSAFE®, XFC®, XTS® and XPlanar® are registered trademarks of and licensed by Beckhoff Automation GmbH. Other designations used in this publication may be trademarks whose use by third parties for their own purposes could violate the rights of the owners.

© Beckhoff Automation GmbH & Co. KG 04/2024

The information provided in this brochure contains merely general descriptions or characteristics of performance which in case of actual application do not always apply as described or which may change as a result of further development of the products. An obligation to provide the respective characteristics shall only exist if expressly agreed in the terms of contract.