

ZK2000-3522-0xxx | Sensor cable, PUR, 3 x 0.25 mm², drag-chain suitable



M8, plug, straight, male, 4-pin, A-coded – M8, socket, straight, female, 3-pin, A-coded



Plugs

Electrical data	Head A	Head B
Rated voltage	30 V (according to IEC 61076-2-104)	60 V (according to IEC 61076-2-104)
Rated current	3 A at 40 °C (according to IEC 61076-2-104)	4 A at 40 °C (according to IEC 61076-2-104)
Shielding	no	no
Insulation resistance	≥ 100 MΩ (according to IEC 60512)	≥ 10 GΩ (according to IEC 60512-2)
Mechanical data		
Installation size	M8	M8
Connector type	plug	socket
Configuration	straight	straight
Contact type	male	female
Number of positions (face)	4-pin	3-pin
Coding	A-coded	A-coded
Recommended torque, nut	0.4 Nm	0.4 Nm

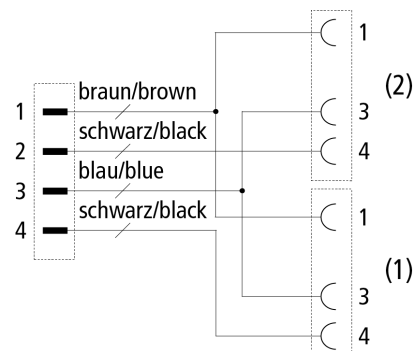
Mating cycles	≥ 100 (according to IEC 60512-9a)	≥ 100 (according to IEC 60512-9a)
Way of locking	screw	screw
Weight per piece	-	0.028 kg (0.0617 lb)
Body color	black	black
Body material	TPU, UL 94	TPU, UL94
Coupling nut material	GD-Zn, Ni	CuZn, Ni
Seal	FPM	FPM
Contact carrier color	red	red
Contact carrier material	PA, UL 94	TPU GF, UL 94
Contact plating	Ni, Au gal.	Ni, Au gal.
Contact material	CuZn	CuZn
Environmental data		
Special features	halogen-free, flame-resistant as per IEC 60332-1-2, oil-resistant as per DIN EN 60811-2-1	halogen-free, flame-resistant as per IEC 60332-1-2, oil-resistant as per DIN EN 60811-2-1
RoHS compliant	yes	yes
Ambient temperature (operation)	-30...+80 °C, -22...+176 °F	-30...+80 °C, -22...+176 °F
Protection rating	IP65/67 in screwed condition (according to IEC 60529)	IP67 in screwed condition (according to IEC 60529)
Pollution level	3/2 (according to IEC 60664-1)	3/2 (according to IEC 60664-1)

Cable

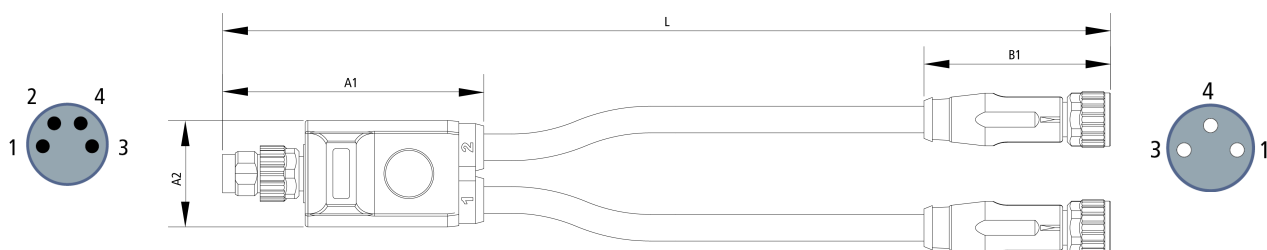
Electrical data		
Rated voltage	≤ 300 V	
Insulation resistance	≥ 10 GΩ (according to IEC 60512-2)	
Wire resistance (signal/24V)	≤ 58.0 Ω/km (20 °C)	
Test voltage	≥ 3000 V	
Mechanical data		
Conductor construction (signal/24V)	32 x 0.10 mm	
Cross-section	3 x 0.25 mm ² (AWG24)	
Min. bending radius, moved	6 x outer cable diameter	
Weight	28 kg/km (18.8 lb/1000 ft)	
Outer cable diameter	4.4 mm ± 0.15 mm (0.173" ± 0.0059")	
Shielding	no	
Use	drag-chain suitable	
Max. acceleration	10 m/s ²	
Max. speed	5 m/s	

Max. number of cycles	10 million at max. 20 m travel distance, 2 million at max. 100 m travel distance
Jacket color	black
Material jacket	PUR (polyurethane)
Wire color code	brown, blue, black
Wire insulation material	PP (polypropylene)
Printing on the jacket	Li9Y11Y 3x0.25mm ² E257058 CRUus (UL-Logo) AWM Style 20549 AWM II A/B 80°C 300 V FT2
Printing color	white
Environmental data	
Operation temperature range, moved	-25...+80 °C, -13...+176 °F
Oil resistance	Oil and greases resistant
Flame-retardant	according to cULus 20549
Halogen-free	DIN VDE 0472 part 815
CE	yes
UL	yes, UL E-file number: E257058

Contact assembly



Dimensions



A1	47.10 mm
A2	19.20 mm
B1	33.60 mm
B2	Ø 10.1 mm

Notes

- Depending on the cable length (L), the following length tolerances apply:
0 m...<0.2 m: ± 10 mm | 0.2...4.0 m: + 40 mm | ≥ 4.0 m: + 1 %
- Illustrations similar
- Further cable length on request.

Ordering information	Length
ZK2000-3522-0001	2 x 0.18 m
ZK2000-3522-0006	2 x 0.60 m
ZK2000-3522-0100	2 x 10.00 m

Accessories	
ZB8801-0000	torque wrench for hexagonal plugs, adjustable
ZB8801-0001	torque cable key, M8/wrench size 9, for ZB8801-0000



Beckhoff®, TwinCAT®, TwinCAT/BSD®, TC/BSD®, EtherCAT®, EtherCAT G®, EtherCAT G10®, EtherCAT P®, Safety over EtherCAT®, TwinSAFE®, XFC®, XTS® and XPlanar® are registered trademarks of and licensed by Beckhoff Automation GmbH. Other designations used in this publication may be trademarks whose use by third parties for their own purposes could violate the rights of the owners.

© Beckhoff Automation GmbH & Co. KG 08/2022

The information provided in this brochure contains merely general descriptions or characteristics of performance which in case of actual application do not always apply as described or which may change as a result of further development of the products. An obligation to provide the respective characteristics shall only exist if expressly agreed in the terms of contract.