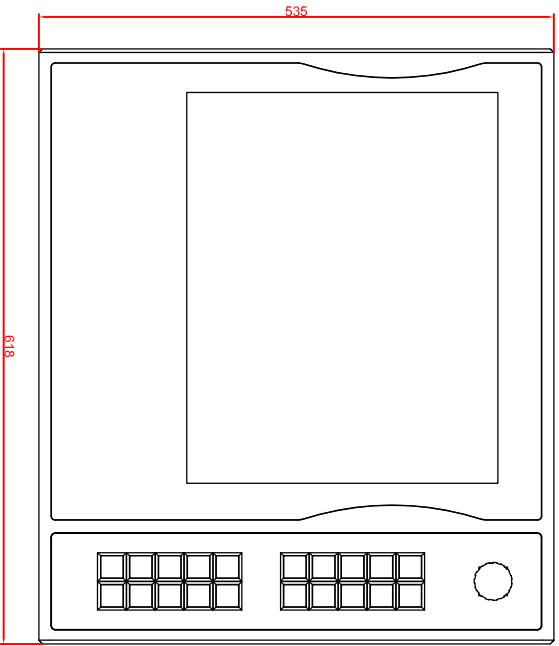
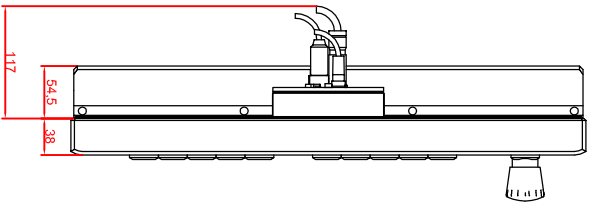


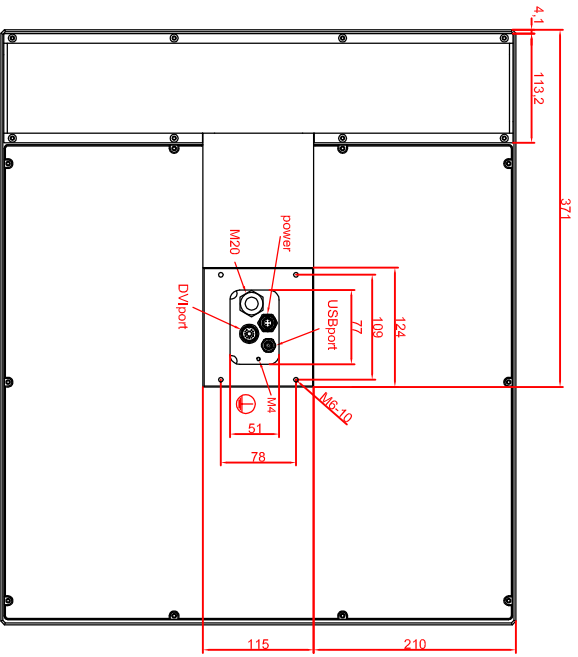
bottom view



front view

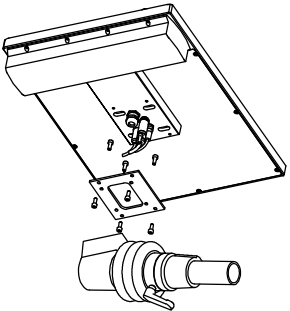


left view

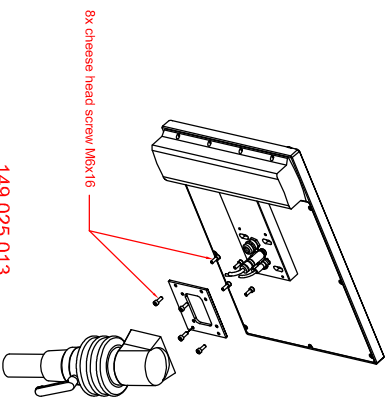


rear view

CP7833-0000-E799  
 arm adapter for  
 Roloc - Tara Plus -  
 suspension adaption  
 main dimensions and  
 fixing points  
 dimensions in mm



149.025.014



149.025.013