

Documentation | EN

PS1021-2405-0000

Power supply 24 V DC, 5 A, 1-phase, AC 100-120 V / 200-240 V



Table of contents

1 Overview	5
2 Foreword	6
2.1 Notes on the documentation	6
2.2 Safety instructions	7
2.3 Terminology and abbreviations	8
3 Technical data, mounting, wiring	9
3.1 AC input	9
3.2 DC input	11
3.3 Input inrush current	12
3.4 Output	13
3.5 Hold-up time	13
3.6 DC-OK relay contact	15
3.7 Efficiency and losses	16
3.8 Lifetime expectancy and MTBF	17
3.9 Functional wiring diagram	18
3.10 Terminals and wiring	19
3.11 Front side and operating elements	20
3.12 EMC	21
3.13 Environment	22
3.14 Protective functions and safety features	23
3.15 Dielectric strength	24
3.16 Declaration of conformity and approvals	25
3.17 Dimensions and weight	26
4 Application notes	27
4.1 Peak current capability	27
4.2 Back-feeding loads	28
4.3 External input protection	28
4.4 Parallel use to increase power	29
4.5 Parallel use for redundancy	29
4.6 Series connection	30
4.7 Inductive and capacitive loads	30
4.8 Charging batteries	30
4.9 Operation on two phases	31
4.10 Use in a tightly sealed enclosure	31
5 Disposal	32
6 Appendix	33
6.1 Accessories	33
6.2 Documentation issue status	35
6.3 Support and Service	36

1 Overview

PS1021-2405-0000 | Power supply 24V, 5A, single phase



- AC 100-120V / 200-240V input with automatic selection
- Width only 39mm
- Efficiency of up to 92.3%
- Full power between -10°C and +55°C
- Including DC-OK relay contact

The PS1021-2405-0000 is a 1-phase 24 V power supply with an output current of 5 A and an output power of 120 W.

On the input side, the device has a wide-range input and an input inrush current limitation.

The output operates according to the UI characteristic curve and switches to the safe hiccup mode in case of overload/short-circuit.

The power supply is part of the PS1000 family and has a width of 39 mm. A DC OK LED and a potential-free relay contact monitor the status of the output voltage.

Overview of technical data *)

Overview of technical data	PS1021-2405-0000
Output voltage	DC 24V
Adjustment range	24 - 28V
Output current	for AC 110-120 / 220-240V mains: 5.0 - 4.3A at 24-28V, <55°C 3.1 - 2.7A at 24-28V, <70°C for AC 100 / 200V mains: 5.0 - 4.3A at 24-28V, <50°C 2.5 - 2.1A at 24-28V, <70°
Output ripple	< 100mVpp, 20Hz to 20MHz
Input voltage AC	AC 100-120 V / 220-240V (±10%, auto select)
Mains frequency	50-60Hz ±6%
Input current AC	1.72 / 1.05A at 120 / 230Vac
Power factor	0.64 / 0.54 at 120 / 230 Vac
Efficiency	91.2% / 92.3% at 120 / 230Vac
Temperature range	-10°C to +70°C (in operation)
Dimensions (W x H x D)	39 x 124 x 124 mm (without DIN rail)
Weight	370 g
Approvals/markings	CE, EAC, UKCA cULus

*) All values typical for 24V, 5A, 230Vac, 50Hz, +25°C ambient temperature and after a warm-up time of five minutes, unless otherwise stated.

2 Foreword

2.1 Notes on the documentation

Copyright

© Beckhoff Automation GmbH & Co. KG, Germany.

The reproduction, distribution and utilization of this document as well as the communication of its contents to others without express authorization are prohibited.

Offenders will be held liable for the payment of damages. All rights reserved in the event of the grant of a patent, utility model or design.

Disclaimer

The documentation has been prepared with care. The products described are, however, constantly under development.

We reserve the right to revise and change the documentation at any time and without prior announcement.

No claims for the modification of products that have already been supplied may be made on the basis of the data, diagrams and descriptions in this documentation.

Trademarks

Beckhoff®, TwinCAT®, TwinCAT/BSD®, TC/BSD®, EtherCAT®, EtherCAT G®, EtherCAT G10®, EtherCAT P®, Safety over EtherCAT®, TwinSAFE®, XFC®, XTS® and XPlanar® are registered trademarks of and licensed by Beckhoff Automation GmbH. Other designations used in this publication may be trademarks whose use by third parties for their own purposes could violate the rights of the owners.

Patent Pending

The EtherCAT Technology is covered, including but not limited to the following patent applications and patents: EP1590927, EP1789857, EP1456722, EP2137893, DE102015105702 with corresponding applications or registrations in various other countries.

Intended audience

This description is only intended for the use of trained specialists in control and automation engineering who are familiar with the applicable national standards.

It is essential that the documentation and the following notes and explanations are followed when installing and commissioning these components.

The qualified personnel is obliged to always use the currently valid documentation.

The responsible staff must ensure that the application or use of the products described satisfy all the requirements for safety, including all the relevant laws, regulations, guidelines and standards.

2.2 Safety instructions

Description of instructions

In this documentation the following instructions are used.
These instructions must be read carefully and followed without fail!

DANGER

Serious risk of injury!

Failure to follow this safety instruction directly endangers the life and health of persons.

WARNING

Risk of injury!

Failure to follow this safety instruction endangers the life and health of persons.

CAUTION

Personal injuries!

Failure to follow this safety instruction can lead to injuries to persons.

NOTICE

Damage to environment/equipment or data loss

Failure to follow this instruction can lead to environmental damage, equipment damage or data loss.



Tip or pointer

This symbol indicates information that contributes to better understanding.

Intended use

This device is designed for installation in a housing and is intended for general professional use, for example in industrial control systems or office, communication and measuring equipment.

Do not use this power supply in installations where a malfunction could cause serious injury or danger to human life.

Exclusion of liability

All the components are supplied in particular hardware and software configurations appropriate for the application. Modifications to hardware or software configurations other than those described in the documentation are not permitted, and nullify the liability of Beckhoff Automation GmbH & Co. KG.

Personnel qualification

This description is only intended for trained specialists in control, automation and drive engineering who are familiar with the applicable national standards.

Safety regulations

Please note the following safety instructions and explanations!
Product-specific safety instructions can be found on following pages or in the areas mounting, wiring, commissioning etc.

Safety instructions and installation requirements for the PS1021-2405-0000 power supply

DANGER


Danger of electric shock, fire, injuries, injuries resulting in death!

- Do not use the power supply without proper grounding (protective conductor). Use the terminal at the input terminal strip for the earth connection, not one of the screws on the housing.
- Switch off the power supply before working on the device. Provide protection against unintentional reconnection.
- Ensure proper wiring by following all local and national regulations.
- Do not modify or attempt to repair the device.
- Do not open the device, as high voltages are present inside.
- Avoid foreign bodies entering the housing.
- Do not use the device in damp locations or in areas where moisture or condensation is likely to occur.
- Do not touch the device when it is switched on or immediately after it has been switched off. Hot surfaces can cause burns.

Further notes on installation requirements

- This device contains no parts that require maintenance. If an internal fuse trips, this is due to an internal defect.
- If any damage or malfunction occurs during installation or operation, turn off the power supply immediately and return the device to the factory for inspection.
- Mount the device on a DIN rail so that the input terminals are at the bottom of the device.
- This device is designed for convection cooling and does not require an external fan. Do not obstruct the air circulation. No more than 15% of the ventilation grille may be covered (e.g. by cable ducts)!
- Maintain the following installation distances: 40 mm at the top, 20 mm at the bottom and 5 mm on the left and right are recommended if the device continuously runs at more than 50% of the rated output. Increase this distance to 15 mm if the adjacent device is a heat source (e.g. another power supply unit).

2.3 Terminology and abbreviations

PE and the earthing symbol	PE is the abbreviation for "protective earth" and has the same meaning as the earthing symbol 
Earth, ground	This document uses the term "earth" which is the same as the U.S. term "ground".
T.b.d.	Still to be defined, value or description will follow in due course.
AC 230 V	A value preceded by "AC" or "DC" represents a nominal voltage or a nominal voltage range. The nominal voltage or the nominal voltage range may be provided with tolerances. (e.g. AC 230 V \pm 10%). The calculated total range then indicates the working range of the device. Example: DC 12 V refers to a 12 V battery, regardless of whether it is fully charged (13.7 Vdc) or discharged (10 Vdc).
230 Vac	A value followed by the unit Vac or Vdc is an instantaneous value that does not contain any additional tolerances.
50 Hz vs. 60 Hz	Unless otherwise specified, AC 100 V and AC 230 V parameters are valid at a mains frequency of 50 Hz. AC 120 V parameters are valid for a mains frequency of 60 Hz.
may	A keyword indicating a choice without implied preference.
shall	A keyword indicating a mandatory requirement.
should	A keyword indicating a choice with a clearly preferred method of implementation.

3 Technical data, mounting, wiring

3.1 AC input

AC input			
AC input	Nom.	AC 100-120V / 220-240V	Auto select, suitable for TN, TT, and IT networks
AC input range	Min.	90-132Vac / 180-264Vac	Continuous operation
	Min.	264-300Vac	For up to 500 ms max.
Permissible voltage L or N to earth	Max.	300Vac	Continuous, IEC 62103
Input frequency	Nom.	50-60Hz	±6%
External input protection	See recommendations in chapter External input protection [► 28]		

AC input		AC 100V	AC120V	AC230V	
Input current	Typ.	2.0A	1.72A	1.05A	At 24V, 5A, see Fig. <i>Input current over output current</i>
Power factor*)	Typ.	0.66	0.64	0.54	At 24V, 5A, see Fig. <i>Input current over output current</i> ;
Peak factor**)	Typ.	2.7	2.8	3.4	At 24 V, 5 A
Turn-on voltage	Typ.	78Vac	78Vac	157Vac	Static, at 24V, 0A, see Fig. <i>Input voltage range</i>
Shut-down voltage	Typ.	68Vac	68Vac	68Vac	Static, at 24V, 5A, see Fig. <i>Input voltage range</i>
Start-up delay	Typ.	400ms	400ms	100ms	See Fig. <i>Switch-on behavior definitions</i>
Rise time	Typ.	30ms	30ms	30ms	At 24V, 5A constant current load, 0mF load capacitance, see Fig. <i>Switch-on behavior definitions</i>
	Typ.	90ms	90ms	90ms	At 24V, 5A constant current load, 5mF load capacitance, see Fig. <i>Switch-on behavior definitions</i>
Turn-on overshoot	Max.	200mV	200mV	200mV	See Fig. <i>Switch-on behavior definitions</i>

*) The power factor is the ratio of real (or active) power to apparent power in an AC circuit.

***) The peak factor is the mathematical ratio of the peak value to the RMS value of the input current waveform.

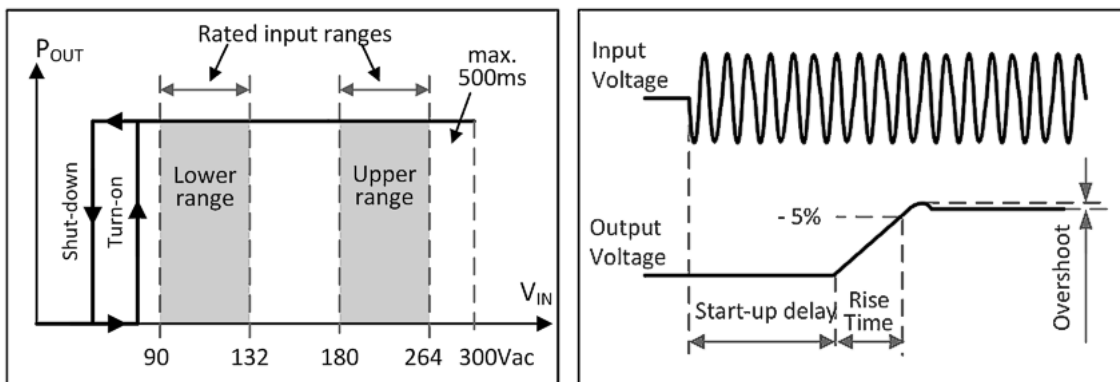


Fig. 1: Input voltage range; switch-on behavior definitions

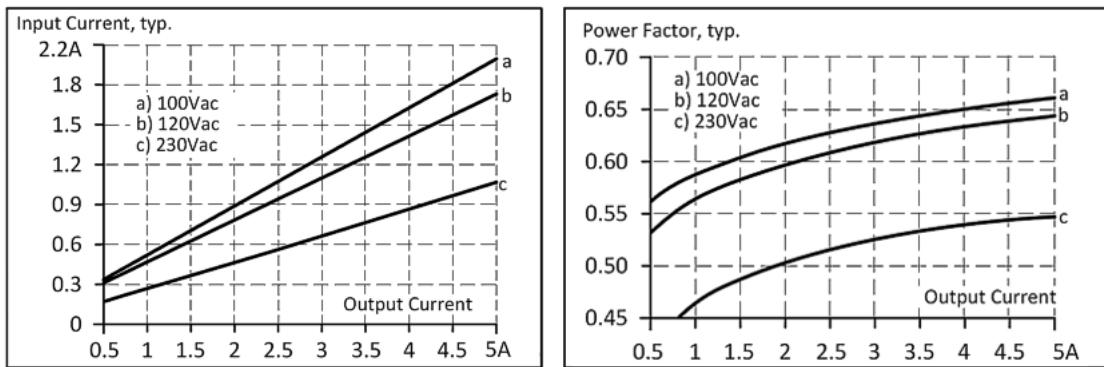


Fig. 2: Input current over output current; power factor over output current

3.2 DC input

Do not operate this power supply with DC input voltage!

3.3 Input inrush current

Active inrush current limitation (NTCs) limits inrush current surge after the input voltage is switched on.

The charge current of the interference suppression capacitors during the first few microseconds after switching on is not taken into account.

		AC 100V	AC 120V	AC 230V	
Input inrush current	Max.	23A _{peak}	27A _{peak}	40A _{peak}	At +40°C, cold start
	Typ.	18A _{peak}	22A _{peak}	33A _{peak}	At +40°C, cold start
	Typ.	13A _{peak}	16A _{peak}	30A _{peak}	At +25°C, cold start
Inrush energy	Max.	0.4A ² s	0.5A ² s	1.5A ² s	At +40°C, cold start

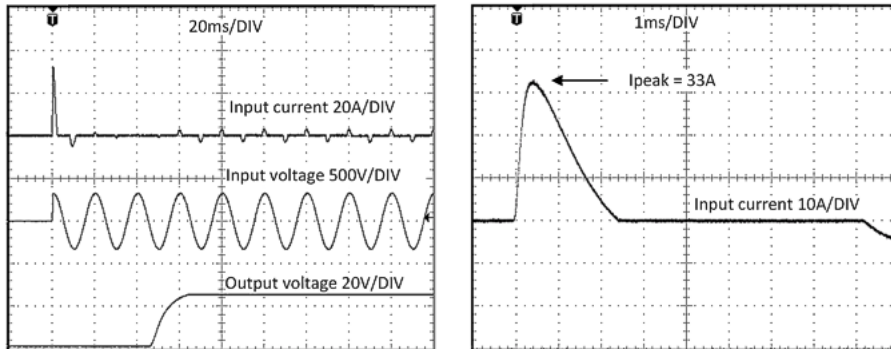


Fig. 3: Input inrush current, typical behavior, 230Vac input, 24V/5A output, 40°C ambient temperature; Input inrush current, zoomed to the first peak, 230Vac input, 24V 5A output, 40°C ambient temperature

3.4 Output

Output voltage	Nom.	DC 24V	
Adjustment range	Min.	24-28V	Guaranteed value
	Max.	30V ²⁾	In end position of the potentiometer, clockwise.
Factory settings	Typ.	24.1 V	±0.2%, at full load (cold device)
Line regulation	Max.	10 mV	90-132 / 180-264Vac
Load regulation	Max.	150 mV	0A → 5A → 0A, static value
Residual ripple and ripple voltage	Max.	100mVpp	20Hz to 20MHz, 50Ohm
Output current ³⁾	for mains voltages AC 110-120 / 220-240V (including mains AC 208V):		
	Nom.	5A	At 24 V and ambient temperature below 55°C
	Nom.	4.3A	At 28V and ambient temperature below 55°C,
	Nom.	3.1A	At 24V and an ambient temperature of 70°C
	Nom.	2.7A	At 28V and an ambient temperature of 70°C
Output current ³⁾	for mains voltages AC 100 / 200V:		
	Nom.	5A	At 24 V and ambient temperature below 55°C
	Nom.	4.3A	At 28V and ambient temperature below 55°C,
	Nom.	2.5A	At 24V and an ambient temperature of 70°C
	Nom.	2.1A	At 28V and an ambient temperature of 70°C
Overload characteristics	Continuous current	Output voltage > 10Vdc, see Fig. <i>Output voltage over output current, typ.</i>	
	Hiccup mode	Output voltage < 10Vdc, see Fig. <i>Output voltage over output current, typ.</i>	
Short circuit current	Min.	3.5 A ¹⁾	Load impedance 50mOhm, see Fig. <i>Output voltage over output current, typ.</i> The discharge current of the output capacitors is not included.
Output capacity	Typ.	2,050µF	Included in the power supply

¹⁾ The discharge current of the output capacitors is not included.

²⁾ This is the maximum output voltage that can occur in the end position of the potentiometer in clockwise direction due to tolerances. It is not a guaranteed value that can be achieved. A typical value is 28.5V.

³⁾ Linear derating between +55°C and +70°C

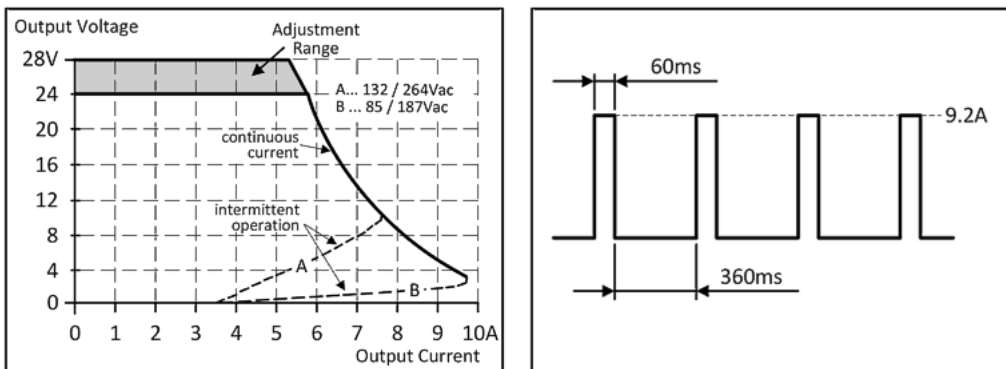


Fig. 4: Output voltage over output current, typ.; intermittent operation, short circuit at output

3.5 Hold-up time

		AC 100V	AC 120V	AC 230V	
Hold-up time	Typ.	64ms	108ms	105ms	At 24V, 2.5A, see Fig. <i>Hold-up time over input voltage</i>
	Min.	54ms	91ms	88ms	At 24V, 2.5A, see Fig. <i>Hold-up time over input voltage</i>
	Typ.	26ms	51ms	50ms	At 24V, 5A, see Fig. <i>Hold-up time over input voltage</i>
	Min.	22ms	43ms	42ms	At 24V, 5A, see Fig. <i>Hold-up time over input voltage</i>

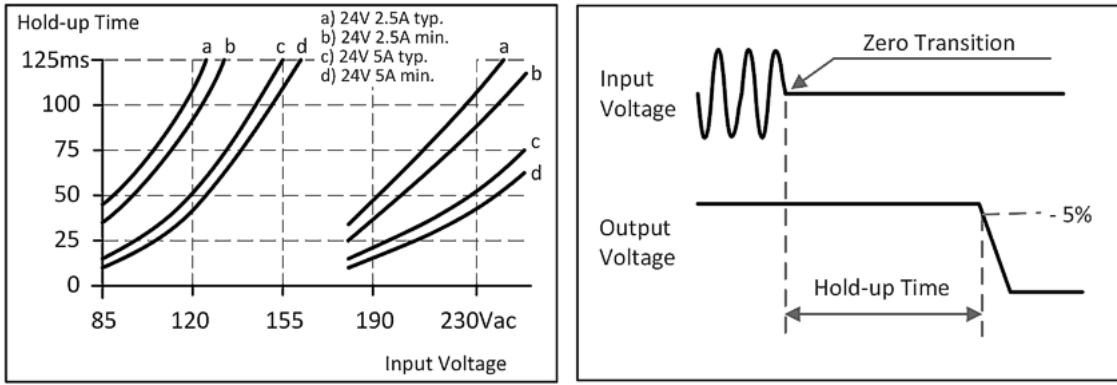


Fig. 5: Hold-up time over input voltage; switch-off behavior, definitions

3.6 DC-OK relay contact

This function monitors the output voltage generated by the power supply itself.

The contact closes	when the output voltage reaches 21.4V.
The contact opens	when the output voltage drops below 21.4V.
Contact load capacity	Maximum 60Vdc 0.3A, 30Vdc 1A, 30Vac 0.5A, ohmic load
	Minimum permissible load: 1mA at 5Vdc
Insulation voltage	See the dielectric strength table in the chapter on Dielectric strength

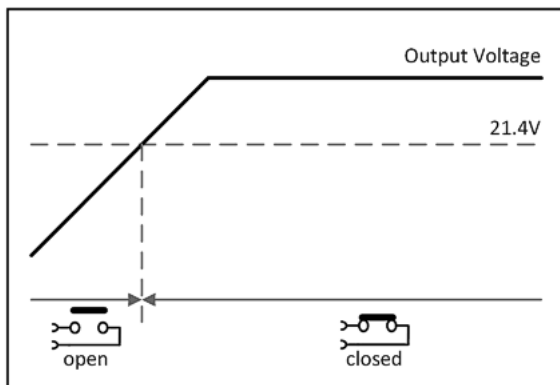


Fig. 6: Behavior of the DC-OK relay contact

3.7 Efficiency and losses

		AC 100V	AC 120V	AC 230V	
Efficiency	Typ.	90.7%	91.2%	92.3%	At 24 V, 5 A
Average efficiency ^{*)}	Typ.	89.2%	89.4%	90.6%	25% at 1.25A, 25% at 2.5A, 25% at 3.75A. 25% at 5A
Losses	Typ.	1.4W	1.5W	0.7W	At 24 V, 0 A
	Typ.	7.0W	7.4W	6.0W	At 24 V, 2.5 A
	Typ.	12.3W	11.6W	10.0W	At 24 V, 5 A

^{*)} The average efficiency is based on assumptions for a typical application with the power supply unit operating at 25% of the nominal load during 25% of the time, 50% of the nominal load during 25% of the time, 75% of the nominal load during 25% of the time and 100% of the nominal load during the remaining time.

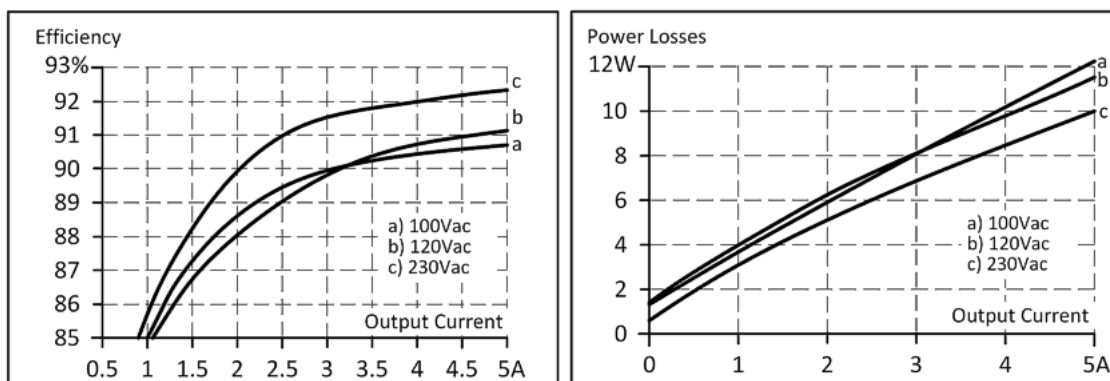


Fig. 7: Efficiency over output current; losses over output current

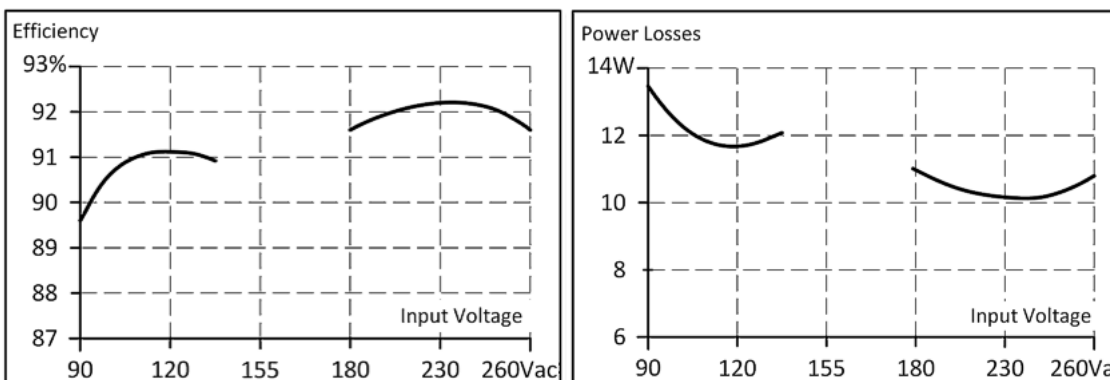


Fig. 8: Efficiency over input voltage; losses over input voltage

3.8 Lifetime expectancy and MTBF

The lifetime expectancy shown in the table indicates the minimum number of operating hours (service life) and is determined by the lifetime expectancy of the built-in electrolytic capacitors. The lifetime expectancy is stated in operating hours and is calculated according to the specifications of the capacitor manufacturer. The manufacturer of the electrolytic capacitors only guarantees a maximum life of up to 15 years (131,400h). Any number exceeding this value represents a calculated theoretical lifetime which can be used to compare devices.

	AC 100V	AC 120V	AC 230V	
Lifetime expectancy	181,000h	194,000h	219,000h	At 24V, 2.5A and +40°C
	511,000h	548,000h	621,000h	At 24V, 2.5A and +25°C
	66,000h	68,000h	83,000h	At 24V, 5A and +40°C
	188,000h	193,000h	234,000h	At 24V, 5A and +25°C

MTBF stands for **Mean Time Between Failure**, which is calculated from the statistical failure rate of the components and indicates the reliability of a device. It is a statistical representation of the probability of equipment failure and does not necessarily represent the service life of a product.

The MTBF number is a statistical representation of the probability of equipment failure. An MTBF number of 1,000,000h, for example, means that statistically, if there are 10,000 devices in use, one device will fail every 100 hours. However, it is not possible to say whether the failed device has been in operation for 50,000 hours or only 100 hours.

	AC 100V	AC 120V	AC 230V	
MTBF SN 29500, IEC 61709	1,065,000 h	1,147,000 h	1,379,000h	At 24V, 5A and +40°C
	2,038,000h	2,166,000h	2,519,000h	At 24V, 5A and +25°C
MTBF MIL HDBK 217F	681,000h	651,000 h	645,000 h	At 24V, 5A and 40°C; Ground Benign GB40
	872,000 h	842,000 h	839,000 h	At 24V, 5A and 25°C; Ground Benign GB25
	165,000 h	164,000 h	168,000 h	At 24V, 5A and 40°C; Ground Fixed GF40
	206,000 h	205,000 h	211,000 h	At 24V, 5A and 25°C; Ground Fixed GF25

3.9 Functional wiring diagram

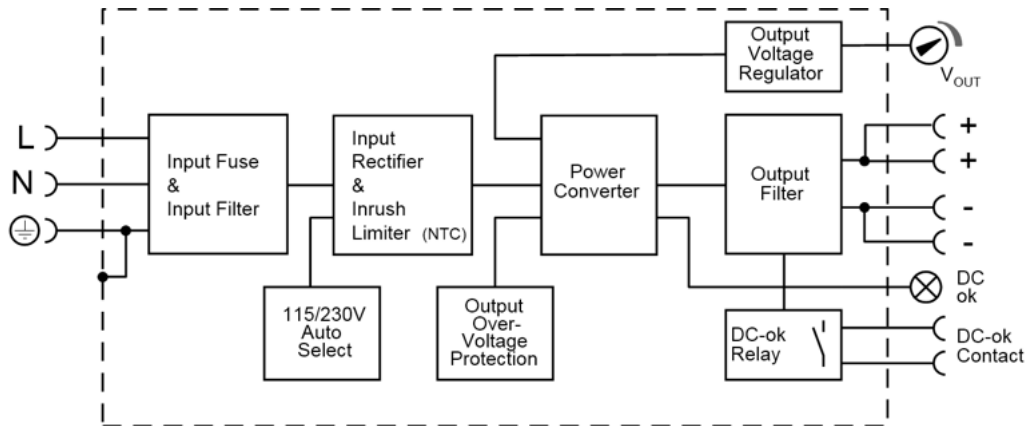


Fig. 9: Functional wiring diagram

3.10 Terminals and wiring

The terminals are designed to be finger-safe according to IP20 and are suitable for field or factory wiring.

Technical data	Input	Output	DC-OK signal
Connection cross-section	e*: max. 6mm ² f*: max. 4mm ² a*: max. 4mm ² (d<2.8mm)	e*: max. 6mm ² f*: max. 4mm ² a*: max 4mm ² (d<2.8mm)	e*: max. 1.5mm ² f*: max. 1.5mm ² a*: max. 1.5mm ² (d<1.6mm)
Connection cross section (AWG)	e*: AWG 20-10 f*: AWG 20-10 a* AWG 20-10 (d<2.8mm)	e*: AWG 20-10 f*: AWG 20-10 a* AWG 20-10 (d<2.8mm)	e*: AWG 28-16 f*: AWG 28-16 a*: AWG 28-16 (d<1.6 mm)
Strip length	7mm / 0.28inch	7mm / 0.28inch	7mm / 0.28inch

e* = solid wire
f* = stranded wire
a* = with ferrule

Wiring instructions:

- Use suitable copper cables that are designed for at least the following operating temperatures: +75°C, for ambient temperatures up to +55°C (minimum) and +90°C, for ambient temperatures up to +70°C (minimum)
- Observe the national installation rules and regulations!
- Do not use the device without PE connection.
- Make sure that all single wires of a strand are connected to the terminal!
- Unused terminals should be tightened firmly.
- Ferrules are permitted.

3.11 Front side and operating elements

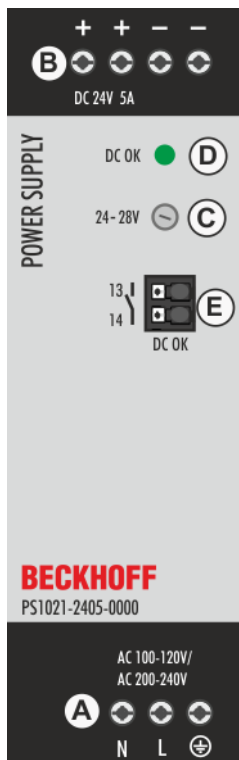


Fig. 10: PS1021-2405-0000, front

Input terminals (screw terminals)

Designation (A)	Description
N	Mains input N
L	Mains input L
	Protective conductor, PE

Output terminals (screw terminals)

Designation (B)	Description
+	two identical positive poles, positive output
-	two identical negative poles, negative output

Potentiometer for the output voltage

Designation (C)	Description
Potentiometer	Guaranteed adjustment range: 24-28V Factory setting: 24.1 V

DC-OK LED

Designation (D)	Description
LED green	Lights up when the output voltage is above 18V.

DC-OK relay contact (push-in terminals)

Designation (E)	Description
Terminals 13 / 14	See chapter DC-OK relay contact [▶ 15] for details.

3.12 EMC

The power supply is suitable for application in industrial environments as well as in residential, commercial and light industrial areas and small businesses.

EMC interference immunity			
Strong transients	VDE 0160	Over the entire load range	750V, 0.3ms

EMC interference emission	According to generic standards: EN 61000-6-4	
Conducted interference emission, input lines	EN 55011, EN 55015, EN 55022, FCC Part 15, CISPR 11, CISPR 22	Class B
Conducted interference emission, output lines ¹⁾	IEC/CISPR 16-1-2, IEC/CISPR 16-2-1	Limit values for the DC power connection according to EN 61000-6-3 not met
Interference emission	EN 55011, EN 55022	Class B
Harmonic input current	EN 61000-3-2	Met, class A limits
Voltage fluctuations, flicker	EN 61000-3-3	Met, tested with non-pulsating constant current loads.

This device complies with FCC Part 15.

Operation is subject to the following two conditions: (1) This device may not cause harmful interference, and (2) this device must be able to deal with any interference received, including interference that may cause undesired operation.

¹⁾ for information only, not mandatory for EN 61000-6-3

Switching frequencies		
Main converter	40kHz to 120kHz	For load current range between 1A - 5A

3.13 Environment

Environment		
Operating temperature ¹⁾	-10°C to +70°C	Reduction of the output power according to Fig. <i>Output current over ambient temperature</i>
Storage temperature	-40°C to +85°C	For storage and transport
Output load reduction	3W/°C (+55°C to +70°C)	For AC 110-120 / 220-240V mains ⁴⁾
	3W/°C (+50°C to +70°C)	For AC 100 / 200V mains ⁴⁾
Humidity ²⁾	5 to 95% r.h.	According to IEC 60068-2-30
Oscillation, sinusoidal ³⁾	2–17.8Hz: ±1.6mm; 17.8-500Hz: 2g 2 hours/axis	According to IEC 60068-2-6
Impacts ³⁾	30g 6ms, 20g 11ms 3 impacts/ direction, 18 impacts in total	According to IEC 60068-2-27
Installation altitude	0 to 2000m	Without restrictions
	2000 to 6000m	Reduce output power or ambient temperature, see Fig. <i>Output current over installation altitude</i> IEC 62103, EN 50178, overvoltage category II
Load reduction due to installation altitude	7.5W/1000m or 5°C/1000m	Above 2000m, see Fig. <i>Output current over installation altitude</i>
Overvoltage category	III	According to 62103, EN 50178, for altitudes up to 2000m
	II	Altitudes from 2000m to 6000m
Degree of pollution	2	According to IEC 62103, EN 50178, non-conductive
LABS-free	The device does not release any silicones or other paint-wetting impairment substances and is suitable for use in paint shops.	

¹⁾ The working temperature is identical to the room temperature or the ambient temperature and is defined as the air temperature 2cm below the device.

²⁾ Do not energize when condensation is present

³⁾ Tested in conjunction with DIN rails according to EN 60715 with a height of 15mm and a thickness of 1.3mm and standard mounting position.

⁴⁾ For AC 208V mains, AC 200-220V values must be used.

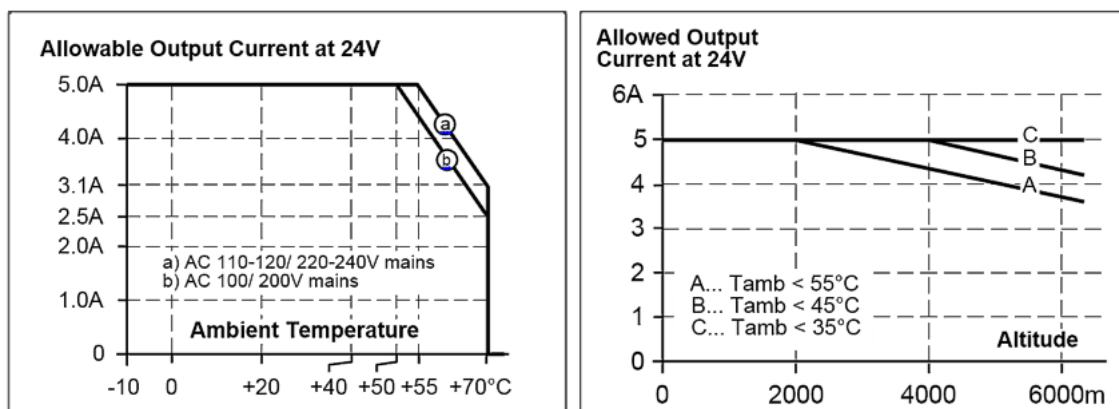


Fig. 11: Output current over ambient temperature; output current over installation altitude

3.14 Protective functions and safety features

Protective functions		
Output protection	Electronically protected against overload, no load and short circuit. Audible noises may occur in the event of a protection event.	
Output overvoltage protection	Typ. 31Vdc Max. 34Vdc	In the event of an internal power supply fault, a redundant circuit limits the maximum output voltage. In such a case the output switches off and remains switched off until the input voltage is switched off for at least one minute and then switched on again, or until the green LED has gone out.
Protection class	IP 20	According to EN/IEC 60529 Caution: For use in a controlled environment in accordance with CSA 22.2 No. 107.1-01.
Overtemperature protection	-	
Protection against input transients	MOV (metal oxide varistor)	
Input fuse	yes	Slow-blow fuse cannot be replaced by the user.

Safety features		
Input/output isolation	SELV	IEC/EN 60950-1
	PELV double or reinforced insulation	IEC/EN 60204-1, EN 50178, IEC 62103, IEC 60364-4-41
Protection class	I	A PE connection (protective earth) is required.
Insulation resistance	> 100MΩ	Input over output, 500Vdc
Touch current (leakage current)	typ. 0.21mA / 0.46mA	At 100Vac, 50Hz, TN, TT / IT network
	typ. 0.30mA / 0.65mA	At 120Vac, 60Hz, TN, TT / IT network
	typ. 0.33mA / 0.72mA	At 230Vac, 50Hz, TN, TT / IT network
	< 0.27mA / 0.56mA	At 110Vac, 50Hz, TN, TT / IT network
	< 0.38mA / 0.78mA	At 132Vac, 60Hz, TN, TT / IT network
	< 0.43mA / 0.90mA	At 264Vac, 50Hz, TN, TT / IT network

3.15 Dielectric strength

The output voltage is earth-free and has no ohmic connection to earth.

Type and component tests are carried out by the manufacturer. Field tests can be performed in the field using suitable test equipment that ramps up the voltage with a slow ramp (2s rising and 2s falling). Connect all input terminals and all output poles to each other before performing the tests. During the test, set the cut-off current to the value shown in the table below.

To meet the PELV requirements according to EN60204-1 section 6.4.1, we recommend that either the positive pole, the negative pole or any other part of the output circuit is connected to the protective earthing system. This helps to avoid situations where a load starts unexpectedly or cannot be disconnected if an unnoticed earth leakage occurs.

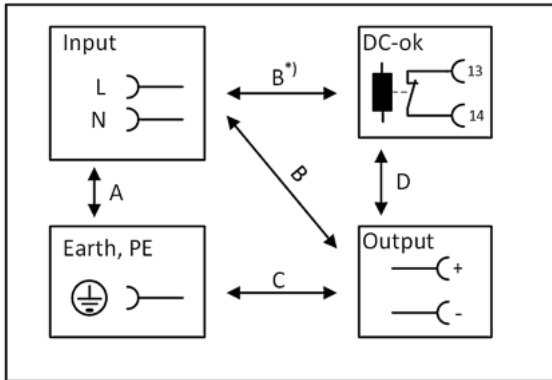


Fig. 12: Dielectric strength

B^{*)} When checking the input to DC-OK, make sure that the maximum voltage between DC-OK and the output is not exceeded (column D). We recommend connecting the DC-OK pins and the output pins when performing the test.

		A	B	C	D
Type test	60s	2500Vac	3000Vac	1000Vac	500Vac
Component test	5s	2500Vac	2500Vac	500Vac	500Vac
Field test	5s	2000Vac	2000Vac	500Vac	500Vac
Setting the cut-off current		> 10mA	> 10mA	> 15mA	> 1 mA

3.16 Declaration of conformity and approvals

	<p>EU declaration of conformity</p>
	<p>UK Declaration of Conformity Trade conformity assessment for England, Scotland and Wales The UKCA mark indicates conformity with the UK Statutory Instruments 2016 No. 1101 (LVD) 2016 No. 1091 (EMC) and 2012 No. 3032 (RoHS)</p>
	<p>Registration for the Eurasian Customs Union market (Russia, Kazakhstan and Belarus)</p>
	<p>UL Certificate: UL 61010-1/2-201, Applicable for US and Canada</p>

3.17 Dimensions and weight

Dimensions and weight	
Overall width	39mm
Height	124mm
Depth	124mm The height of the DIN rails must be added to the depth of the device to calculate the total installation depth required
DIN rail	Use 35 mm DIN rails according to EN 60715 or EN 50022 with a height of 7.5 or 15mm.
Weight	370g
Plastic material of the housing	Flame retardant polycarbonate (PC) - UL94-V0 Vicat softening temperature specified at 149°C according to ASTM D1525
Installation clearances	See chapter on Safety instructions and installation requirements [▶ 8]

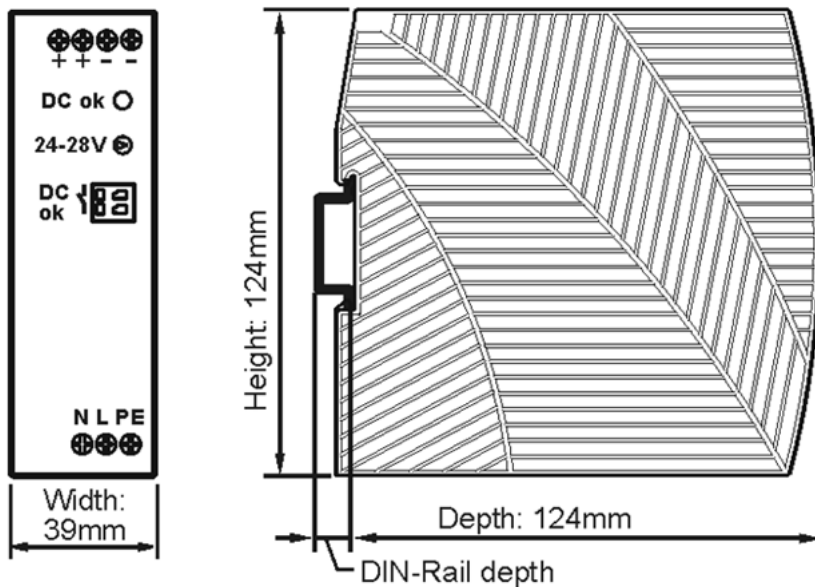


Fig. 13: PS1021-2405-0000 front/side view

4 Application notes

4.1 Peak current capability

The device can deliver peak currents (for up to several milliseconds) that are higher than the specified short-term currents.

This helps when starting loads with high current intensity. Magnetic coils, contactors and pneumatic modules often have a stationary coil and a pick-up coil. The input inrush current requirement of the pick-up coil is several times higher than the steady-state current and usually exceeds the rated output current. The situation is exactly the same when starting a capacitive load.

The peak current capability also ensures safe operation of downstream circuit breakers of load circuits. The load circuits are often individually fused with circuit breakers or fuses. In the event of a short circuit or overload in a circuit, the fuse or circuit breaker needs a certain amount of overcurrent to open in time. This prevents a voltage drop in adjacent circuits.

The additional current (peak current) is supplied by the power converter and the built-in large-size output capacitors of the power supply. The capacitors are discharged during such an event, which leads to a voltage drop at the output. The following two examples show typical voltage drops for ohmic loads:

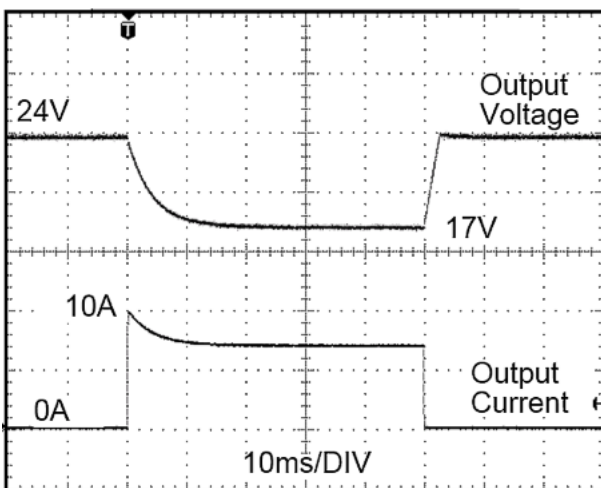


Fig. 14: 10 A peak current (ohmic load) for 50 ms, the output voltage drops from 24 V to 17 V

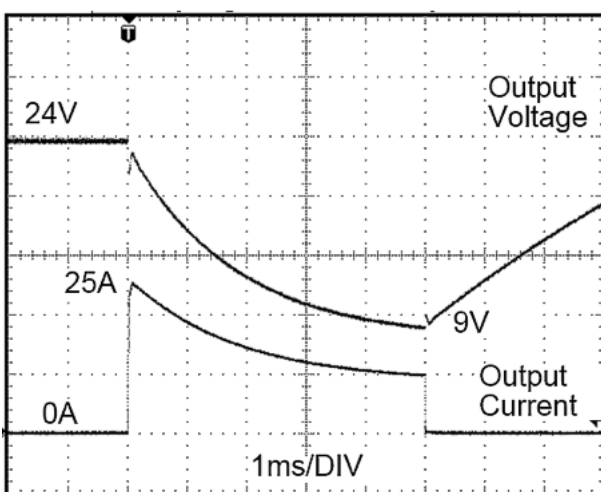


Fig. 15: 25 A peak load (ohmic load) for 5 ms, the output voltage drops from 24 V to 9 V.

Peak current voltage drops	
Typically from 24 V to 17 V	At 10 A for 50 ms, ohmic load
Typically from 24 V to 13 V	At 25 A for 2 ms, ohmic load
Typically from 24 V to 9 V	At 25 A for 5 ms, ohmic load

4.2 Back-feeding loads

Loads such as braking motors or inductors can feed back voltage to the power supply. For the power supply, this feature is also known as back EMF. (electromagnetic force).

This power supply is resistant and will not malfunction if a load feeds back voltage to the power supply. It is irrelevant whether the power supply is switched on or off.

The maximum permissible feed-back voltage is 35 Vdc. The absorbing energy can be calculated according to the large built-in output capacitor indicated in the output data.

4.3 External input protection

The device is tested and approved for circuits that are fused up to 30A (UL) and 32A (IEC). External protection is only required if the supply line has a protection that is higher than this. Also check the local regulations and requirements. Local regulations may apply in some countries.

If an external fuse is required or used, minimum requirements must be taken into account to avoid false tripping of the circuit breaker. A circuit breaker with a minimum value of 10A with B characteristic or 6A with C characteristic should be used.

4.4 Parallel use to increase power

The power supply must not be connected in parallel to increase the output power.

4.5 Parallel use for redundancy

It is possible to connect power supplies in parallel for redundancy operation in order to achieve better system availability. Redundant systems provide a certain amount of additional power to operate the load when a power supply unit fails. The simplest method is to connect two power supplies in parallel. This is called 1+1 redundancy. If one power supply fails, the other can automatically supply the load current without interruption.

The 1+1 redundancy allows ambient temperatures up to +70°C.

Notes on parallel use for 1+1 redundancy

- i** • Be sure to use a redundancy module in order to decouple devices from one another. This prevents the defective device from becoming a load for the other device and the output voltage no longer being maintainable.
- Note that leakage current, EMI, input inrush current and harmonics increase when using multiple devices.

Recommendations for the construction of redundant power supply systems:

- Power supplies that contain a DC-OK signal contact are best suited for the construction of redundant power supply systems.
 - Use this DC-OK signal contact to monitor the individual power supplies.
- Use separate grids for each power supply whenever possible.
- It is recommended to set the output voltages of all devices to the same value (± 100 mV) or to leave them at the factory setting.

Wiring example:

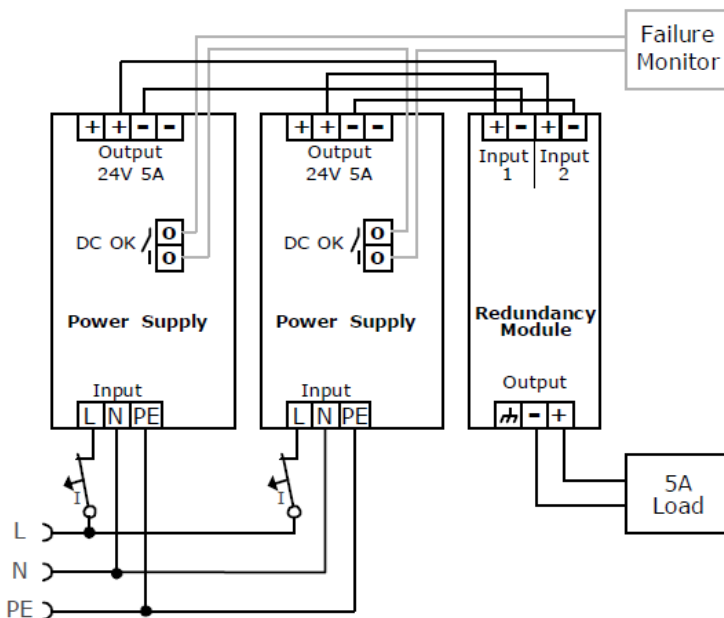


Fig. 16: Wiring for 1+1 redundancy with a PS9401-2420-0000 redundancy module

4.6 Series connection

Power supplies of the same type can be connected in series to increase the output voltages. As many devices can be connected in series as necessary, as long as the sum of the output voltages does not exceed 150Vdc. Voltages with a potential higher than 60Vdc are no longer regarded as safety extra-low voltage (SELV) and can be dangerous. Such voltages must be protected with a contact hazard protection.

Grounding of the output is required if the sum of the output voltage is more than 60Vdc.

Avoid application of return voltage (e.g., from a braking motor or battery) to the output terminals.

Restrictions: Keep a mounting distance of 15mm (left/right) between two power supplies and do not install the power supplies above each other.

Remember that leakage current, electromagnetic interference, input inrush current and harmonics increase when using multiple power supplies.

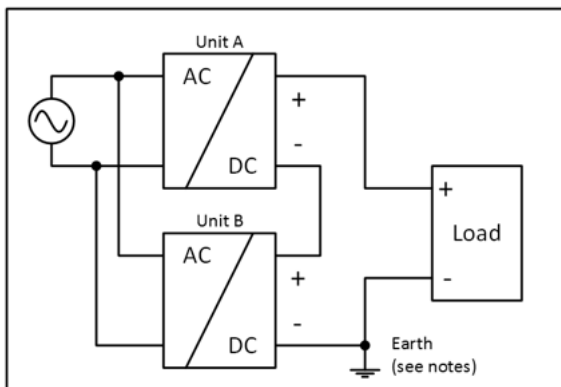


Fig. 17: Series connection

4.7 Inductive and capacitive loads

No restrictions for inductive loads.

No restrictions for capacitive loads in combination with an additional ohmic load type.

Restrictions apply to capacitive loads in combination with constant current loads:

- max. 20mF with an additional constant current load of 2.5A and
- max. 10mF with an additional 5A constant current load.

4.8 Charging batteries

Do not use the power supply to charge batteries.

4.9 Operation on two phases

The power supply can also be used on two phases of a three-phase system. Such a phase-to-phase connection is permissible as long as the supply voltage is below 240V+10%.

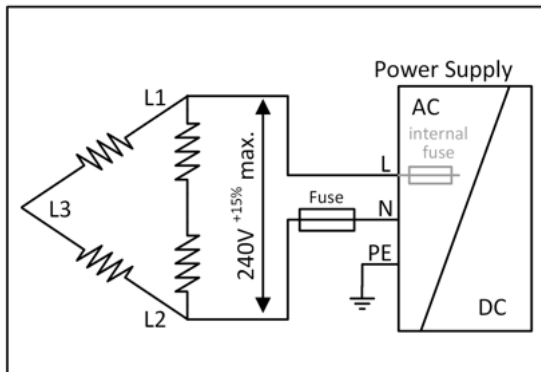


Fig. 18: Operation on two phases

Make sure that the conductor connected to the N terminal is appropriately fused.

4.10 Use in a tightly sealed enclosure

When the power supply is installed in a tightly sealed enclosure, the temperature inside the housing is higher than outside. In this case, the temperature inside the housing is considered the ambient temperature for the power supply.

The power supply is positioned at the center of the housing. There are no other heat-generating elements in the housing.

The temperature sensor in the housing is positioned at the center on the right side of the power supply with a distance of 1 cm.

The following measurement results can be used as reference for estimating the temperature rise inside the housing.

	Case A	Case B
Housing size	110 mm x 180 mm x 165 mm Rittal housing, protection class IP66 PK 9516 100, plastic	110 mm x 180 mm x 165 mm Rittal housing, protection class IP66 PK 9516 100, plastic
Input voltage	230 Vac	230 Vac
Load	24 V, 4 A; (=80 %)	24 V, 5 A; (=100 %)
Temperature inside the housing	38.9°C	41.5°C
Temperature outside the housing	24.2°C	24.4°C
Temperature increase	14.5 K	17.1 K

5 Disposal



Products marked with a crossed-out wheeled bin shall not be discarded with the normal waste stream. The device is considered as waste electrical and electronic equipment. The national regulations for the disposal of waste electrical and electronic equipment must be observed.

6 Appendix

6.1 Accessories

Power supply	Accessories		
	Redundancy module	Buffer module	UPS component
PS1021-2405-0000	PS9401-2420-0000	PS9011-2420-0001	CU8130-0xxx

PS9401-2420-0000 – Redundancy Module



The PS9401-2420-0000 is a redundancy module that can be used to construct 1+1 and N+1 redundant systems.

It has two input channels, to which power supplies with an output current of up to 12 A can be connected, and an output that can carry nominal currents up to 20 A. The output can also be operated with up to 24 A if the ambient temperature is < +45°C.

The redundancy module uses MOSFET technology instead of diodes for decoupling the two input channels. This reduces the heat development and the voltage drop between input and output. Due to the low power loss, the device is very narrow and requires a width of just 32 mm on the DIN rail.

Large connection terminals enable secure and fast installation. The redundancy module requires no additional auxiliary voltage.

Due to the international approvals package, the device is suitable for virtually every application.

Observe the connection instructions in the chapter "[Parallel use for redundancy \[► 29\]](#)"!

PS9011-2420-0001 – Buffer Module



The PS9011-2420-0001 buffer module is an additional device for 24 V DC power supply units. It supplies power to bridge typical mains power failures or extends the hold-up time after switching off the AC voltage.

If the power supply unit supplies sufficient voltage, the buffer module stores energy in the integrated electrolytic capacitors. In the event of a failure of the mains voltage, the stored energy is supplied to the DC bus in a controlled process.

The buffer module can be connected at any point in parallel with the load circuit and does not require any control wiring.

A buffer module can provide 20 A of additional power and can be added in parallel to increase the output current or hold-up time.

The PS9011-2440-0000 buffer module can optionally be used to achieve longer hold-up times.

CU8130-0xxx – UPS component

CU8130-0xxxx are battery-backed, uninterruptible power supplies (UPS). If the external 24 V DC input voltage is lost, the UPS takes over the supply of the devices connected to it thanks to its regulated and buffered 24 V DC output voltage.

The CU81xx UPS series is suitable for all Beckhoff components, particularly Industrial PCs, Embedded PCs, Panels and Panel PCs.

The main features of this UPS are:

- battery module based on NiMH cells
- mounting of the UPS on the DIN rail or on the rear panel of the control cabinet
- protocol-based communication with the Industrial PC either via OCT (**O**ne **C**able **T**echnology) or USB
- digital signals for communication with non-protocol-capable end devices
- TwinCAT PLC function blocks for querying the UPS operation

A special feature of the Beckhoff CU81xx devices is OCT (**O**ne **C**able **T**echnology) as communication technology between UPS and Industrial PC. This means that the two connecting lines (+24 V, 0 V) between Industrial PC and UPS are used not only to supply the Industrial PC, but also for bidirectional data transmission.

If both sides are OCT-capable, no further connection, e.g., via USB, is required.

Further information on UPS components can be found on the Beckhoff [homepage](#).

6.2 Documentation issue status

Version	Comment
1.1	- Chapter "Parallel operation for redundancy" added - Chapter "Accessories" added - Update structure
1.0	- First public issue
0.2	- Corrections and addenda
0.1	- Provisional documentation for PS1021-2405-0000

6.3 Support and Service

Beckhoff and their partners around the world offer comprehensive support and service, making available fast and competent assistance with all questions related to Beckhoff products and system solutions.

Beckhoff's branch offices and representatives

Please contact your Beckhoff branch office or representative for local support and service on Beckhoff products!

The addresses of Beckhoff's branch offices and representatives round the world can be found on her internet pages: www.beckhoff.com

You will also find further documentation for Beckhoff components there.

Support

The Beckhoff Support offers you comprehensive technical assistance, helping you not only with the application of individual Beckhoff products, but also with other, wide-ranging services:

- support
- design, programming and commissioning of complex automation systems
- and extensive training program for Beckhoff system components

Hotline: +49 5246 963 157
e-mail: support@beckhoff.com
web: www.beckhoff.com/support

Service

The Beckhoff Service Center supports you in all matters of after-sales service:

- on-site service
- repair service
- spare parts service
- hotline service

Hotline: +49 5246 963 460
e-mail: service@beckhoff.com
web: www.beckhoff.com/service

Headquarters Germany

Beckhoff Automation GmbH & Co. KG

Hülshorstweg 20
33415 Verl
Germany

Phone: +49 5246 963 0
e-mail: info@beckhoff.com
web: www.beckhoff.com

More Information:

www.beckhoff.com/ps1021-2405-0000

Beckhoff Automation GmbH & Co. KG
Hülshorstweg 20
33415 Verl
Germany
Phone: +49 5246 9630
info@beckhoff.com
www.beckhoff.com

