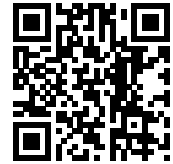


ZS7300-0013 | Flange, field assembly, EtherCAT P, IP65/67, shielded



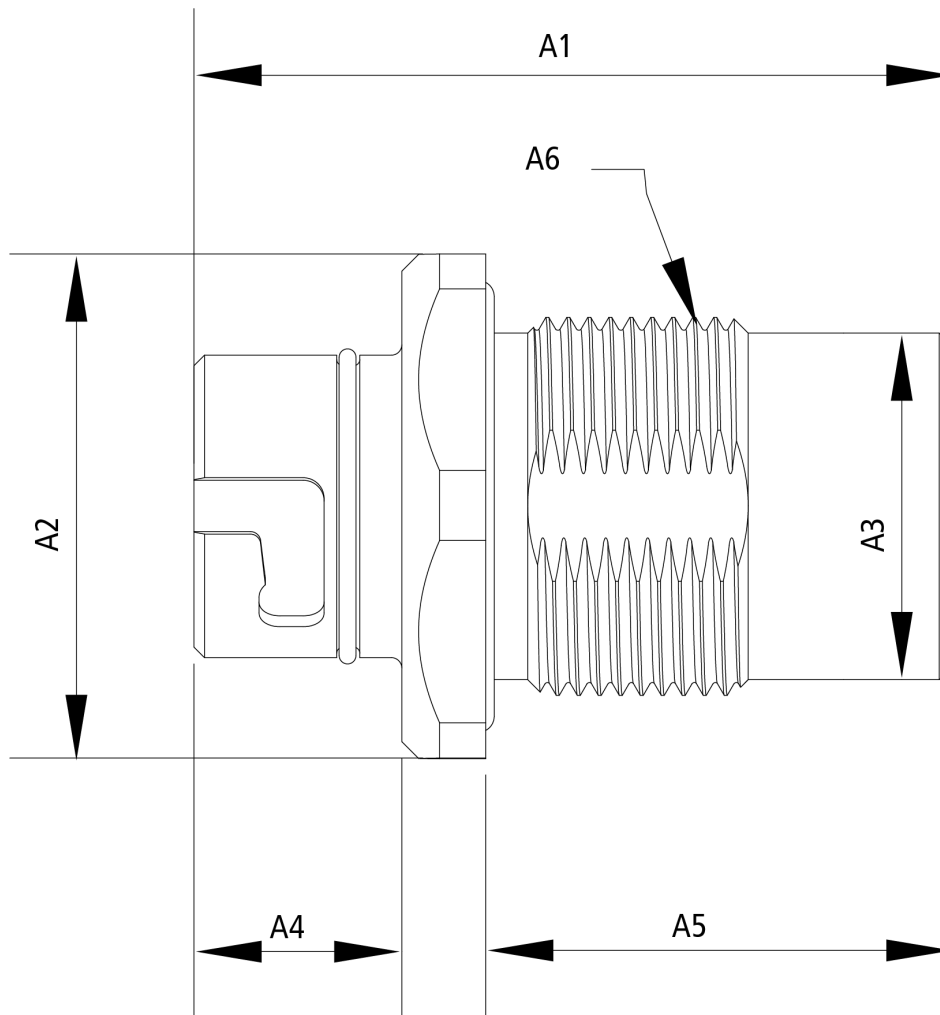
B23, flange front assembly, straight, short, female+ female, pins 4+PE+4, P-coded



Electrical data	
Rated voltage (Ethernet)	24 V DC
Rated current (Ethernet)	3 A at 40 °C
Rated voltage (power)	630 V AC / 850 V DC, 600V AC / DC (UL)
Rated current (power)	28 A at 40 °C
Rated impulse voltage (power)	6.0 kV
Rated impulse voltage (Ethernet)	1.0 kV
Voltage proof (contact/contact)	1.5 kV (power - Ethernet), 3.31 kV AC (power), 1.0 kV AC (Ethernet)
Shielding	yes
Shielding (Ethernet)	yes
Contact resistance	< 10 mΩ (signal), < 5 mΩ (power)
Insulation resistance	≥ 100 MΩ (according to IEC 60512)
Mechanical data	
Accessories type	Connectors
Installation size	B23
Connector type	flange front assembly

Configuration	straight, short
Contact type	female+ female
Number of positions (face)	pins 4+PE+4
Coding	P-coded
Wire termination	crimp connection
Mating cycles	≥ 100
Way of locking	bayonet
Weight per piece	0.200 kg (0.441 lb)
Body material	CuZn, Ni
Coupling nut material	CuZn, Ni
Seal	HNBR
Contact carrier material	PA, UL 94 V-0
Contact carrier color (Ethernet)	red
Contact carrier color (power)	red
Contact plating	Ni, Au gal.
Contact material	copper alloy
Max. wire cross-section (power)	AWG12/4.0 mm ²
Max. wire cross-section (Ethernet)	AWG22/0.34 mm ²
Max. cable outer diameter	13.0...15.0 mm, 15.0...16.0 mm
Environmental data	
Shock resistance	50 g (490 m/s ²) conforms to IEC 60512-6c, 11 ms; 18 shocks per direction, 3 axes
Vibration resistance	5 g (50 m /s ²) conforms to IEC 60512-6d, 10 Hz. ... 500 Hz.; 10 cycles per axis; 6 h full duration
RoHS compliant	yes
Ambient temperature (operation)	-20...+90 °C, -4...+194 °F
Protection rating	IP65/67 in screwed condition (according to IEC 60529)
Pollution level	3/2 (according to IEC 60664-1)
Approvals	UL 2237: File E484763

Dimensions



A1	42.50 mm
A2	30.00 mm
A3	23.80 mm
A4	20.40 mm
A5	17.10 mm
A6	M25

Notes

- Delivery without crimp contacts
- Illustrations similar

Ordering information

ZS7300-0013

B23, flange, metal, shielded, crimp, straight, short, female+female, 5+4-pin, front assembly, P-coded

Accessories

ZB8810-0000	crimping tool for Ethernet element, M8, B12, B17, B23 contacts
ZB8810-0002	crimping insert and locator for Ethernet element, M8 and B23 contacts
ZS7000-C001	Crimp contact, Ethernet element, male, AWG22/0.34 mm ² , PU = 50 pieces
ZS7000-C010	B23 crimp contact, female, 4 mm ² , packaging unit = 50 pieces
ZS7000-C016	B23 crimp contact, female, 1.5 mm ² , packaging unit = 50 pieces
ZS7000-C018	B23 crimp contact, female, 2.5 mm ² , packaging unit = 50 pieces
ZS7000-C030	B23 crimp contact, female, 0.75 mm ² , packaging unit = 50 pieces
ZS7300-B001	B23 protection cap, socket/flange, plastic, IP67, packaging unit = 10 pieces
ZS7300-B002	B23 protection cap, socket/flange, metal, IP67, packaging unit = 5 pieces
ZS7300-B009	B23 color coding flange for front/rear assembly, red, packaging unit = 10 pieces
ZS7300-B010	B23 color coding flange for front/rear assembly, yellow, packaging unit = 10 pieces
ZS7300-B011	B23 color coding flange for front/rear assembly, blue, packaging unit = 10 pieces
ZS7300-B012	B23 color coding flange for front/rear assembly, green, packaging unit = 10 pieces
ZS7300-B013	B23 color coding flange for front/rear assembly, orange, packaging unit = 10 pieces
ZS7300-B014	B23 color coding flange for front/rear assembly, gray, packaging unit = 10 pieces



Products marked with a crossed-out wheeled bin shall not be discarded with the normal waste stream. The device is considered as waste electrical and electronic equipment. The national regulations for the disposal of waste electrical and electronic equipment must be observed.

Beckhoff®, TwinCAT®, TwinCAT/BSD®, TC/BSD®, EtherCAT®, EtherCAT G®, EtherCAT G10®, EtherCAT P®, Safety over EtherCAT®, TwinSAFE®, XFC®, XTS® and XPlanar® are registered trademarks of and licensed by Beckhoff Automation GmbH. Other designations used in this publication may be trademarks whose use by third parties for their own purposes could violate the rights of the owners.

© Beckhoff Automation GmbH & Co. KG 08/2023

The information provided in this brochure contains merely general descriptions or characteristics of performance which in case of actual application do not always apply as described or which may change as a result of further development of the products. An obligation to provide the respective characteristics shall only exist if expressly agreed in the terms of contract.