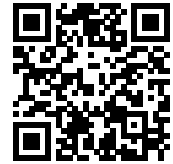


ZS7002-2005 | M8 housing for ZS7002-0005, 8.2 mm, without counter nut, shielded

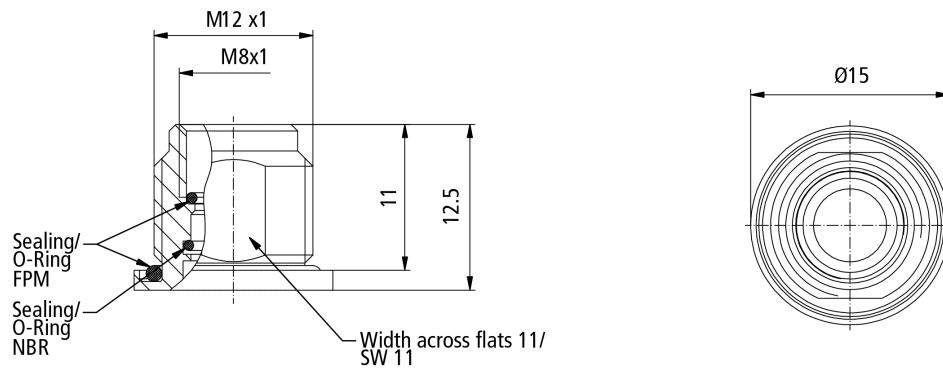


M8, flange housing, straight



Electrical data	
Rated voltage	24 V DC (according to IEC 61076-2-104)
Rated current	3 A at 40 °C (according to IEC 61076-2-104)
Shielding	yes
Mechanical data	
Installation size	M8
Connector type	flange housing
Configuration	straight
Weight per piece	0.153 kg (0.3373 lb)
Body material	CuZn, Ni
Lock nut material	CuZn, Ni
Seal	NBR
Environmental data	
UV resistance	yes
RoHS compliant	yes
Ambient temperature (operation)	-40...+85 °C, -40...+185 °F

Dimensions



Notes

- Illustrations similar

Ordering information

ZS7002-2005	M8 housing for ZS7002-0005, shielded
-------------	--------------------------------------

Accessories

ZS7002-0004	EtherCAT P flange, M8, female, straight, 4-pin, rear assembly, print contact, IP67, P-coded, 10.0 mm, with counter nut, shielded
ZS7002-2002	M12 counter nut, hexagonal



Products marked with a crossed-out wheeled bin shall not be discarded with the normal waste stream. The device is considered as waste electrical and electronic equipment. The national regulations for the disposal of waste electrical and electronic equipment must be observed.

Beckhoff®, TwinCAT®, TwinCAT/BSD®, TC/BSD®, EtherCAT®, EtherCAT G®, EtherCAT G10®, EtherCAT P®, Safety over EtherCAT®, TwinSAFE®, XFC®, XTS® and XPlanar® are registered trademarks of and licensed by Beckhoff Automation GmbH. Other designations used in this publication may be trademarks whose use by third parties for their own purposes could violate the rights of the owners.

© Beckhoff Automation GmbH & Co. KG 09/2023

The information provided in this brochure contains merely general descriptions or characteristics of performance which in case of actual application do not always apply as described or which may change as a result of further development of the products. An obligation to provide the respective characteristics shall only exist if expressly agreed in the terms of contract.