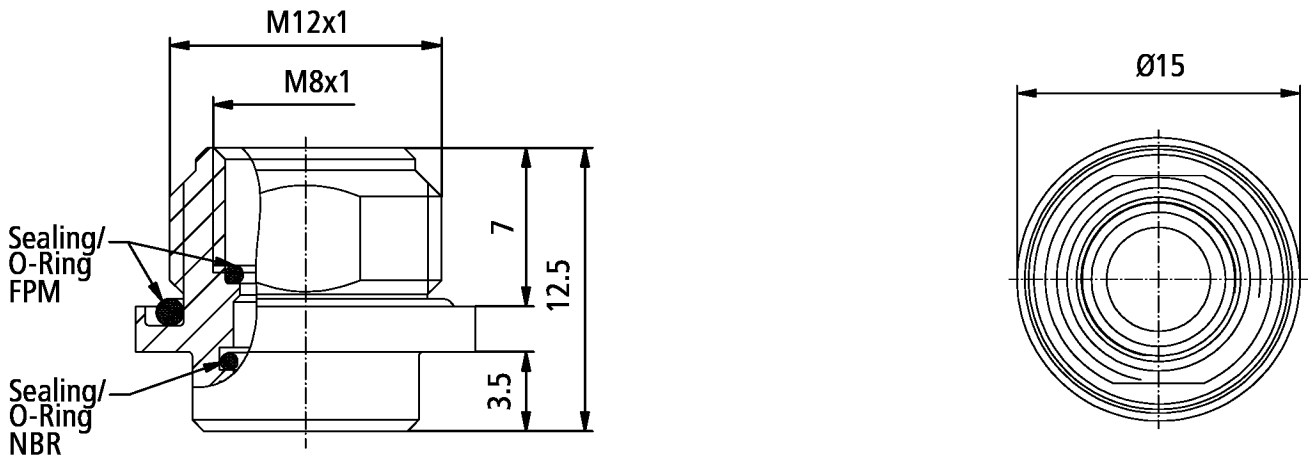


## ZS7002-2004 | M8 housing for ZS7002-0004, 10.0 mm, without counter nut, shielded

M8, flange housing, straight

<b>Electrical data</b>	
Rated voltage	24 V DC (according to IEC 61076-2-104)
Rated current	3 A at 40 °C (according to IEC 61076-2-104)
Shielding	yes
<b>Mechanical data</b>	
Installation size	M8
Connector type	flange housing
Configuration	straight
Body material	CuZn, Ni
Lock nut material	CuZn, Ni
Seal	NBR
<b>Environmental data</b>	
UV resistance	yes
RoHS compliant	yes
Ambient temperature (operation)	-40...+85 °C, -40...+185 °F

## Dimensions



## Notes

- Illustrations similar

Ordering information	
ZS7002-2004	M8 housing for ZS7002-0004, shielded

Accessories	
ZS7002-0004	EtherCAT P flange, M8, female, straight, 4-pin, rear assembly, print contact, IP 67, P-coded, 10.0 mm, with counter nut, shielded
ZS7002-2002	M12 counter nut, hexagonal

Beckhoff®, TwinCAT®, EtherCAT®, EtherCAT G®, EtherCAT G10®, EtherCAT P®, Safety over EtherCAT®, TwinSAFE®, XFC®, XTS® and XPlanar® are registered trademarks of and licensed by Beckhoff Automation GmbH. Other designations used in this publication may be trademarks whose use by third parties for their own purposes could violate the rights of the owners.

© Beckhoff Automation GmbH & Co. KG 02/2021

The information provided in this brochure contains merely general descriptions or characteristics of performance which in case of actual application do not always apply as described or which may change as a result of further development of the products. An obligation to provide the respective characteristics shall only exist if expressly agreed in the terms of contract.