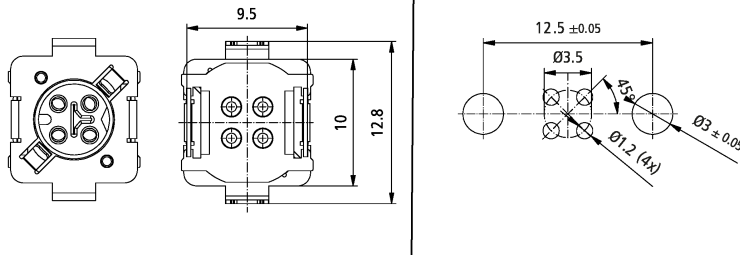
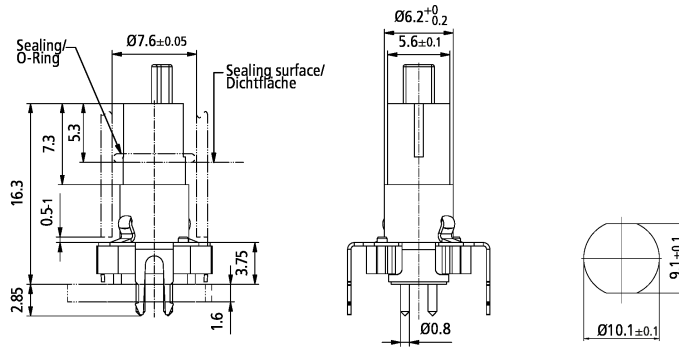


ZS7002-1001 | EtherCAT P contact carrier, IP 67, for ZS7002-0003, ZS7002-0004, ZS7002-0007 and ZS7002-0008

M8, EtherCAT P contact carrier, straight, female, 4-pin, P-coded

Electrical data	
Rated voltage	24 V DC (according to IEC 61076-2-104)
Rated current	3 A at 40 °C (according to IEC 61076-2-104)
Shielding	no
Insulation resistance	≥ 100 MΩ (according to IEC 60512)
Mechanical data	
Installation size	M8
Connector type	EtherCAT P contact carrier
Configuration	straight
Contact type	female
Number of positions (face)	4-pin
Coding	P-coded
Wire termination	solder connection
Mating cycles	≥ 100
Seal	NBR
Contact carrier colour	red
Contact carrier material	PA 6 GF, UL 94 V-0
Contact plating	Ni, Au gal.
Contact material	CuZn
Environmental data	
UV resistance	yes
RoHS compliant	yes
Ambient temperature (operation)	-40...+85 °C, -40...+185 °F
Protection class	IP 65/67 in screwed condition (according to IEC 60529)
Pollution level	3/2 (according to IEC 60664-1)



A1	16.30 mm
----	----------

Notes

- Illustrations similar

Ordering information	
ZS7002-1001	M8 contact carrier, straight, P-coded for ZS7002-0003, ZS7002-0004, ZS7002-0007 and ZS7002-0008
Accessories	
ZS7002-0003	EtherCAT P flange, M8, female, straight, 4-pin, rear assembly, print contact, IP 67, P-coded, 6.0 mm, with counter nut, shielded
ZS7002-0004	EtherCAT P flange, M8, female, straight, 4-pin, rear assembly, print contact, IP 67, P-coded, 10.0 mm, with counter nut, shielded
ZS7002-0007	EtherCAT P flange, M8, female, straight, 4-pin, rear assembly, print contact, IP 67, P-coded, 9.0 mm, shielded
ZS7002-0008	EtherCAT P flange, M8, female, straight, 4-pin, rear assembly, print contact, IP 67, P-coded, 13.0 mm, shielded

Beckhoff®, TwinCAT®, EtherCAT®, EtherCAT G®, EtherCAT G10®, EtherCAT P®, Safety over EtherCAT®, TwinSAFE®, XFC®, XTS® and XPlanar® are registered trademarks of and licensed by Beckhoff Automation GmbH. Other designations used in this publication may be trademarks whose use by third parties for their own purposes could violate the rights of the owners.

© Beckhoff Automation GmbH & Co. KG 02/2021

The information provided in this brochure contains merely general descriptions or characteristics of performance which in case of actual application do not always apply as described or which may change as a result of further development of the products. An obligation to provide the respective characteristics shall only exist if expressly agreed in the terms of contract.