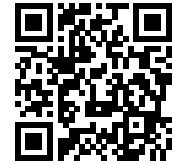


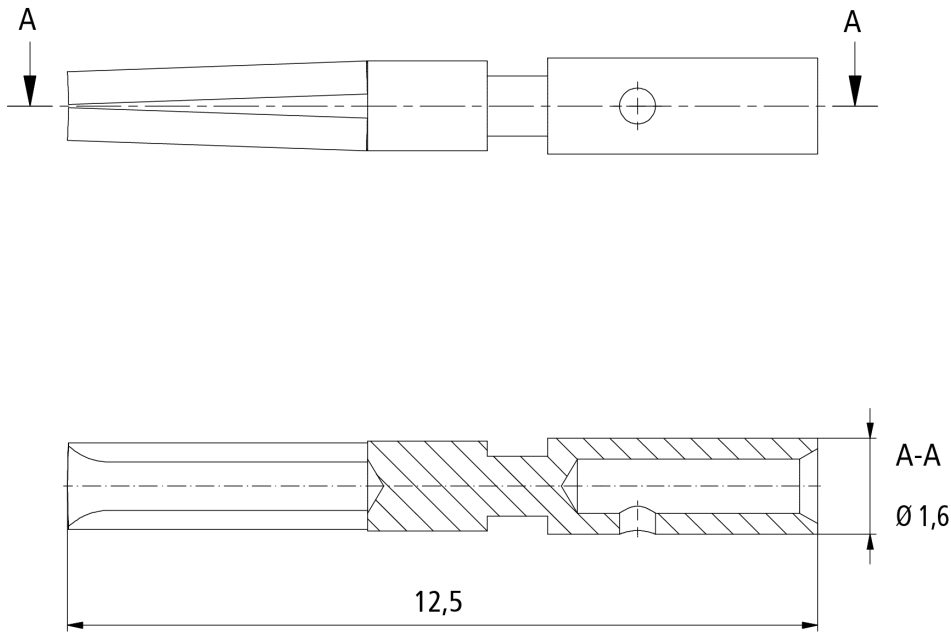
# ZS7000-C026 | Crimp contact, thermocouples type K, Alumel, Ethernet element, female, AWG22/0.34 mm<sup>2</sup>



female, turned



Mechanical data	
Accessories type	Crimp contact
Contact type	female, turned
Wire termination	crimp connection
Mating cycles	≥ 100
Contact plating	Alumel
Contact material	Alumel
Max. wire cross-section	AWG22 (0.34 mm <sup>2</sup> )
Stripping length	4 mm + 0,25 mm
Contact diameter	0.8 mm
Environmental data	
Special features	magnetic
Dimensions	



## Notes

- Illustrations similar

### Ordering information

ZS7000-C026

Crimp contact, Ethernet element, female, AWG22/0.34 mm<sup>2</sup>, PU = 50 pieces



Products marked with a crossed-out wheeled bin shall not be discarded with the normal waste stream. The device is considered as waste electrical and electronic equipment. The national regulations for the disposal of waste electrical and electronic equipment must be observed.

Beckhoff®, TwinCAT®, TwinCAT/BSD®, TC/BSD®, EtherCAT®, EtherCAT G®, EtherCAT G10®, EtherCAT P®, Safety over EtherCAT®, TwinSAFE®, XFC®, XTS® and XPlanar® are registered trademarks of and licensed by Beckhoff Automation GmbH. Other designations used in this publication may be trademarks whose use by third parties for their own purposes could violate the rights of the owners.

© Beckhoff Automation GmbH & Co. KG 10/2023

The information provided in this brochure contains merely general descriptions or characteristics of performance which in case of actual application do not always apply as described or which may change as a result of further development of the products. An obligation to provide the respective characteristics shall only exist if expressly agreed in the terms of contract.