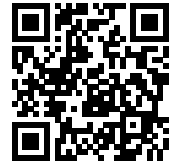


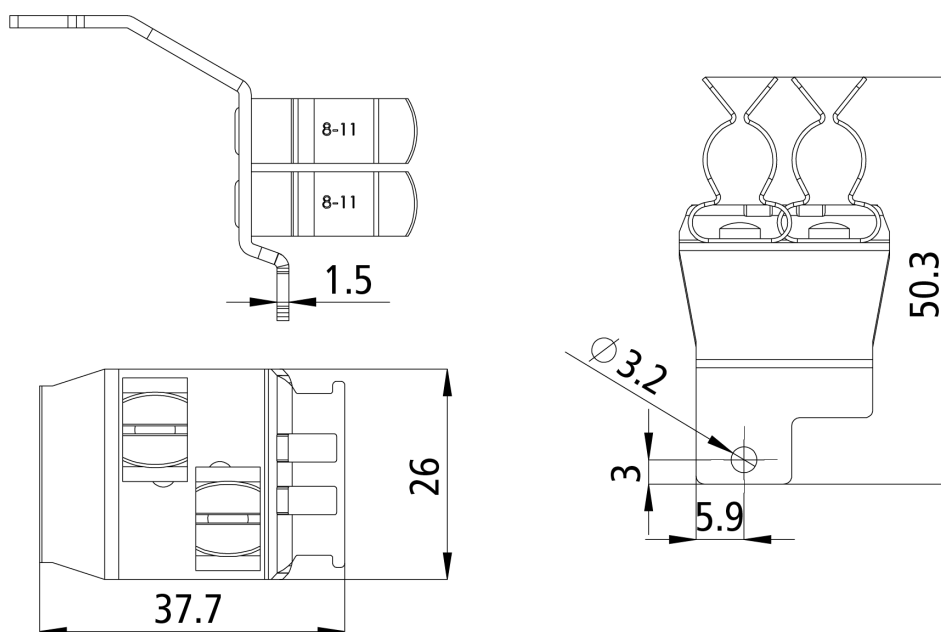
ZS5300-0015 | Shielding bracket for EtherCAT Terminal ELM721x/ELM722x, Packaging unit = 5



Mechanical data

Body material Steel

Dimensions



Notes

- Illustrations similar
- This mounting plate is suitable for modules of size 30 x 126 mm, 60 x 126 mm and 60 x 150 mm

Ordering information

ZS5300-0015

Shielding bracket for EtherCAT Terminal ELM721x/ELM722x



Products marked with a crossed-out wheeled bin shall not be discarded with the normal waste stream. The device is considered as waste electrical and electronic equipment. The national regulations for the disposal of waste electrical and electronic equipment must be observed.

Beckhoff®, TwinCAT®, TwinCAT/BSD®, TC/BSD®, EtherCAT®, EtherCAT G®, EtherCAT G10®, EtherCAT P®, Safety over EtherCAT®, TwinSAFE®, XFC®, XTS® and XPlanar® are registered trademarks of and licensed by Beckhoff Automation GmbH. Other designations used in this publication may be trademarks whose use by third parties for their own purposes could violate the rights of the owners.

© Beckhoff Automation GmbH & Co. KG 02/2024

The information provided in this brochure contains merely general descriptions or characteristics of performance which in case of actual application do not always apply as described or which may change as a result of further development of the products. An obligation to provide the respective characteristics shall only exist if expressly agreed in the terms of contract.