

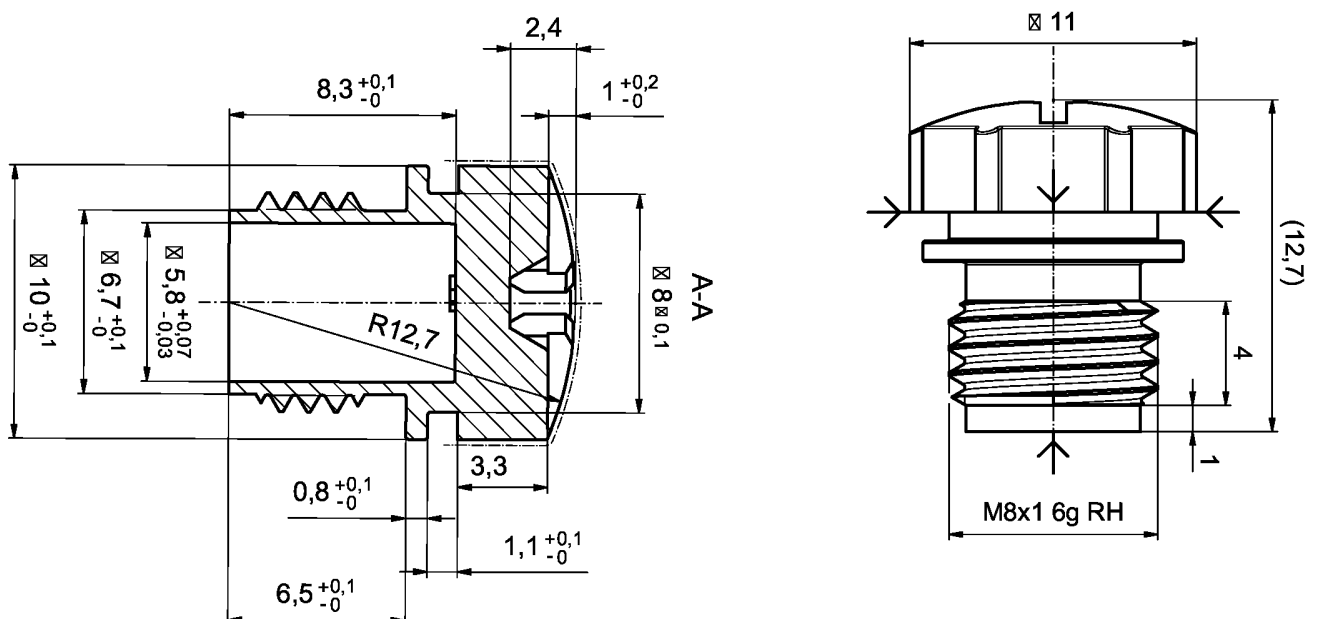


## ZS5000-0012 | Protection cap M8, plastic, rot, IP 65/67

M8, protection cap, straight

Mechanical data	
Installation size	M8
Connector type	protection cap
Configuration	straight
Way of locking	screw
Body colour	red
Body material	PA6
Environmental data	
Special features	PU = 50 pcs.
Protection class	IP 65/67 in screwed condition (according to IEC 60529)

### Dimensions



Ordering information	
ZS5000-0012	protection cap M8, plastic, red, IP 65/67

Beckhoff®, TwinCAT®, EtherCAT®, EtherCAT P®, Safety over EtherCAT®, TwinSAFE®, XFC® and XTS® are registered trademarks of and licensed by Beckhoff Automation GmbH. Other designations used in this publication may be trademarks whose use by third parties for their own purposes could violate the rights of the owners.

© Beckhoff Automation GmbH & Co. KG 01/2019

The information provided in this brochure contains merely general descriptions or characteristics of performance which in case of actual application do not always apply as described or which may change as a result of further development of the products. An obligation to provide the respective characteristics shall only exist if expressly agreed in the terms of contract.