

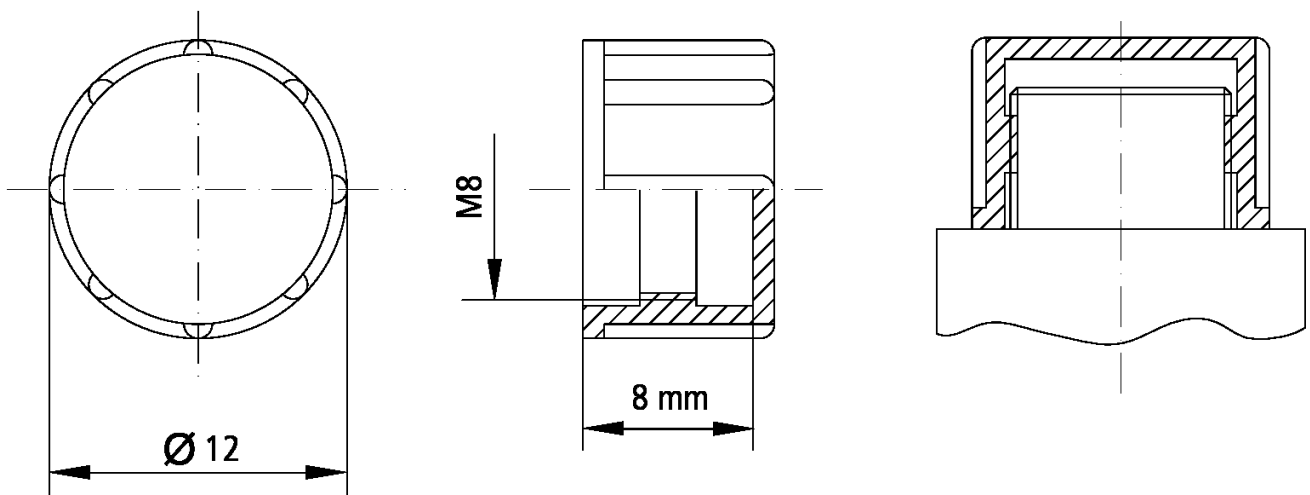


ZS5000-0011 | Protection cap M8, plastic, yellow, IP 65/67, for M8 plug with external thread

M8, protection cap, straight

| Mechanical data | |
|--------------------|--|
| Installation size | M8 |
| Connector type | protection cap |
| Configuration | straight |
| Way of locking | screw |
| Body colour | yellow, similar to RAL 1024 |
| Body material | PE-HD |
| Environmental data | |
| Special features | PU = 50 pcs. |
| Protection class | IP 65/67 in screwed condition (according to IEC 60529) |

Dimensions



Notes

- Illustrations similar

| Ordering information | |
|----------------------|---|
| ZS5000-0011 | blanking plug, plastic (IP 67), for M8 plug, packaging unit = 50 pieces |

Beckhoff®, TwinCAT®, EtherCAT®, EtherCAT P®, Safety over EtherCAT®, TwinSAFE®, XFC® and XTS® are registered trademarks of and licensed by Beckhoff Automation GmbH. Other designations used in this publication may be trademarks whose use by third parties for their own purposes could violate the rights of the owners.

© Beckhoff Automation GmbH & Co. KG 03/2019

The information provided in this brochure contains merely general descriptions or characteristics of performance which in case of actual application do not always apply as described or which may change as a result of further development of the products. An obligation to provide the respective characteristics shall only exist if expressly agreed in the terms of contract.