

Contact Arrangement
mating view

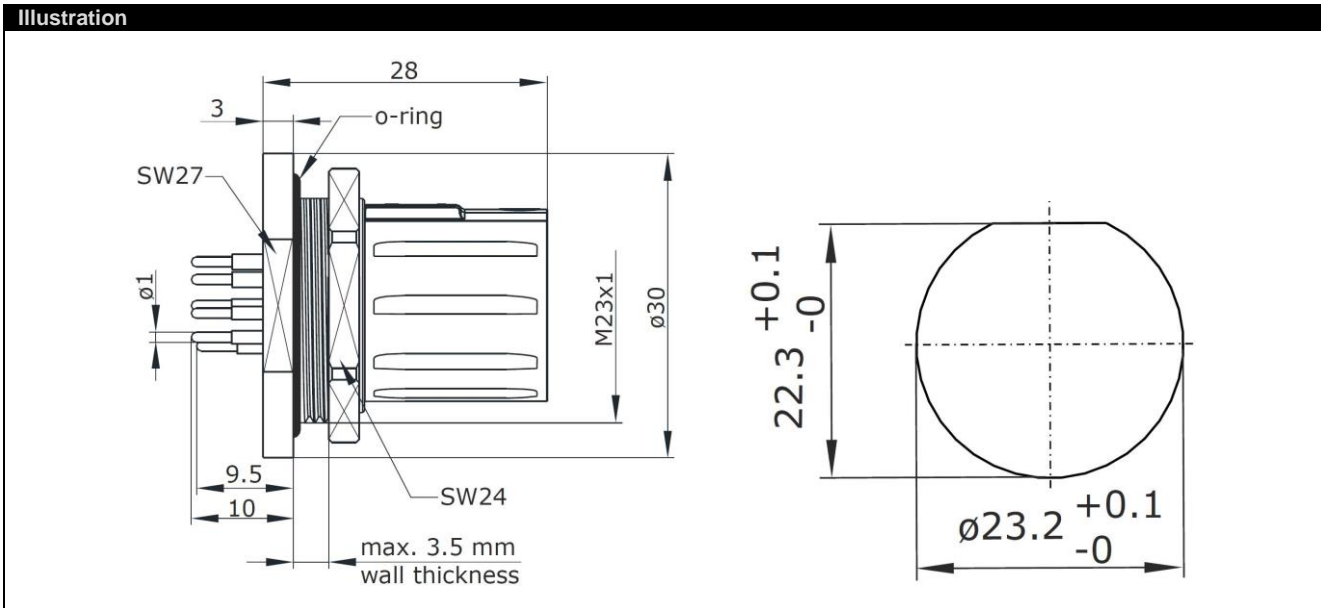


Contact Socket 1 mm, slotted
solder bucket

ZS4000-2127 | EMC flange (female), for PCB assembly, rear mounting, iTec, 9-pin, for motor cable ZK450x-8022-xxxx and ZK4704-0421-xxxx with OCT feedback

Connector

Electrical data	
Rated voltage	630 V (AC / DC) for power contacts 63 V (AC / DC) for signal contacts
Rated current	14 A for power contacts 3.6 A for signal contacts
Rated impulse voltage	6 kV for power contacts 1.5 kV for signal contacts
Overvoltage category	III
Shield	ja
Mechanical data	
Installation size (M12, M8,...)	iTec
Connector type (plug, socket)	flange
Configuration (straight, angled)	straight
Contact type (male, female)	female
Number of positions (face)	9 (4 + PE + 5)
Wire termination	solder for pcb assembly
Mating cycles	500
Contact retention force	> 35 N
Housing material	zinc diecast / nickel plated
Contact carrier material	PA 6.6 mod., UL 94/V0
Contact material	brass / gold plated
Clamp ring material	brass / nickel plated
Sealing material	FKM
Environmental data	
Other characteristics	RoHS-conform, UL-certified, UL 94-V0
Operation temperature range in °C (°F)	-20°C up to 130°C
Protection level	IP66/67 in screwed condition (according IEC 60529)
Degree of pollution	3



Ordering information	
ZS4000-2127	EMC flange (female), for PCB assembly, rear mounting, iTec, 9-pin, for motor cable ZK450x-8022-xxxx and ZK4704-0421-xxxx with OCT feedback
Accessoires	
ZK4701-0421-0xxx	Motor cable extension for AM81xx servomotors (OCT) to Ex72xx-0010 EtherCAT Terminal