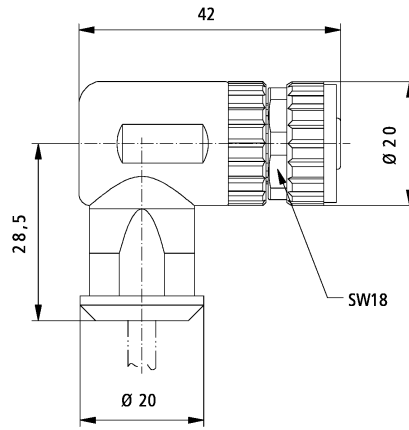




ZS1052-0640 | Socket CANopen/DeviceNet, IP 67

M12, socket, angled, female, 5-pin, A-coded

Electrical data	
Rated voltage	60 V (according to IEC 61076-2-101)
Rated current	4 A at 40 °C (according to IEC 61076-2-101)
Insulation resistance	≥ 100 MΩ (according to IEC 60512)
Mechanical data	
Installation size	M12
Connector type	socket
Configuration	angled
Contact type	female
Number of positions (face)	5-pin
Coding	A-coded
Wire termination	screw connection
Recommended torque, nut	0.6 Nm
Recommended torque, screw termination	0.3 Nm
Mating cycles	≥ 100 (according to IEC 60512-9a)
Way of locking	screw
Body material	PA6 GF, UL 94 HB
Coupling nut material	GD-Zn, Ni
Seal	elastomers
O-ring	FPM/NBR
Contact carrier material	PA 6, UL 94 V0
Contact material	CuZn, Ni b/Au 0.2 gal.
Max. wire cross section	AWG16 (1.5 mm ²)
Max. cable outer diameter	4 - 8 mm
Environmental data	
Ambient temperature (operation)	-30...+85 °C, -22...+185 °F
Protection class	IP 65/67 in screwed condition (according to IEC 60529)
Pollution level	3/2 (according to IEC 60664-1)



Notes

- Illustrations similar

Ordering information	
ZS1052-0640	Socket CANopen/DeviceNet, IP 67, M12, angled, female, screw, 5-pin, A-coded
Accessories	
ZB8801-0000	torque wrench for hexagonal plugs, adjustable
ZB8801-0003	torque cable key, M12F/wrench size 18, for ZB8801-0000

Beckhoff®, TwinCAT®, EtherCAT®, EtherCAT G®, EtherCAT G10®, EtherCAT P®, Safety over EtherCAT®, TwinSAFE®, XFC®, XTS® and XPlanar® are registered trademarks of and licensed by Beckhoff Automation GmbH. Other designations used in this publication may be trademarks whose use by third parties for their own purposes could violate the rights of the owners.

© Beckhoff Automation GmbH & Co. KG 02/2021

The information provided in this brochure contains merely general descriptions or characteristics of performance which in case of actual application do not always apply as described or which may change as a result of further development of the products. An obligation to provide the respective characteristics shall only exist if expressly agreed in the terms of contract.