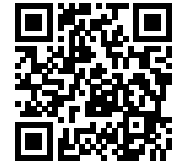


ZS1000-0640 | Socket field assembly for PROFIBUS, Modbus, RS485, shielded



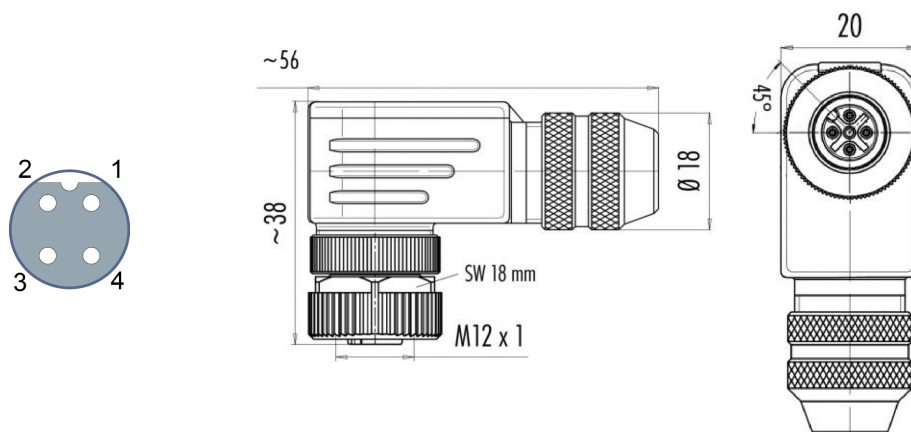
M12, socket, angled, female, 5-pin, B-coded



Electrical data	
Rated voltage	125 V
Rated current	4 A
Rated impulse voltage	1.5 kV
Shielding	yes
Contact resistance	< 3 mΩ
Insulation group	II
Mechanical data	
Installation size	M12
Connector type	socket
Configuration	angled
Contact type	female
Number of positions (face)	5-pin
Coding	B-coded
Wire termination	screw connection
Recommended torque, nut	0.6 Nm
Mating cycles	≥ 100

Way of locking	screw
Body material	PA, zinc die-cast nickel plated
Contact carrier material	PA
Contact plating	Au
Contact material	CuZn
Max. wire cross-section	0.75 mm ² (AWG18)
Max. cable outer diameter	6.5 mm - 8.5 mm
Environmental data	
Ambient temperature (operation)	-40...+85 °C, -40...+185 °F
Protection rating	IP65/67 in screwed condition (according to IEC 60529)
Pollution level	3
Approvals	UL
Overtoltage category	2

Dimensions



A1	56.00 mm
A2	38.00 mm

Notes

- Illustrations similar

Ordering information

ZS1000-0640	plug, field assembly, for PROFIBUS, Modbus, RS485, IP67, M12, angled, female, 5-pin, B-coded, shielded
-------------	--

Accessories

ZB8801-0000	torque wrench for hexagonal plugs, adjustable
ZB8801-0003	torque cable key, M12F/wrench size 18, for ZB8801-0000



Products marked with a crossed-out wheeled bin shall not be discarded with the normal waste stream. The device is considered as waste electrical and electronic equipment. The national regulations for the disposal of waste electrical and electronic equipment must be observed.

Beckhoff®, TwinCAT®, TwinCAT/BSD®, TC/BSD®, EtherCAT®, EtherCAT G®, EtherCAT G10®, EtherCAT P®, Safety over EtherCAT®, TwinSAFE®, XFC®, XTS® and XPlanar® are registered trademarks of and licensed by Beckhoff Automation GmbH. Other designations used in this publication may be trademarks whose use by third parties for their own purposes could violate the rights of the owners.

© Beckhoff Automation GmbH & Co. KG 08/2023

The information provided in this brochure contains merely general descriptions or characteristics of performance which in case of actual application do not always apply as described or which may change as a result of further development of the products. An obligation to provide the respective characteristics shall only exist if expressly agreed in the terms of contract.