

ZK2000-5152-0000 | Sensor adapter, flange

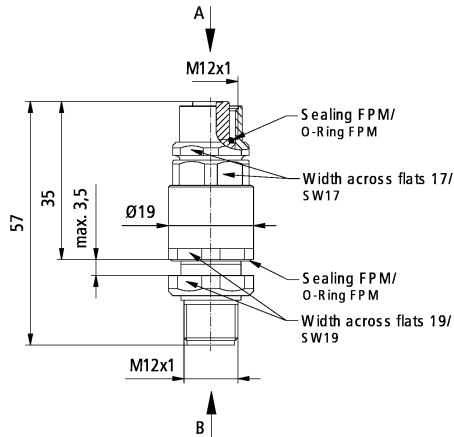
M12, plug, straight, male, 5-pin, A-coded – M12, socket, straight, female, 5-pin, A-coded

Electrical data	Head A	Head B
Rated voltage	60 V (according to IEC 61076-2-101)	60 V (according to IEC 61076-2-101)
Rated current	4 A at 40 °C (according to IEC 61076-2-101)	4 A at 40 °C (according to IEC 61076-2-101)
Shielding	no	no
Contact resistance	< 10 mΩ	< 10 mΩ
Insulation resistance	≥ 100 MΩ (according to IEC 60512)	≥ 100 MΩ (according to IEC 60512)
Mechanical data		
Installation size	M12	M12
Connector type	plug	socket
Configuration	straight	straight
Contact type	male	female
Number of positions (face)	5-pin	5-pin
Coding	A-coded	A-coded
Recommended torque, nut	0.6 Nm	0.6 Nm
Mating cycles	≥ 100 (according to IEC 60512-9a)	≥ 100 (according to IEC 60512-9a)
Way of locking	screw	screw
Body colour	metal	metal
Body material	CuZn, Ni	CuZn, Ni
Coupling nut material	CuZn, Ni	CuZn, Ni
Seal	NBR, FPM	NBR, FPM
Contact carrier colour	black	black
Contact carrier material	PBT GF, UL 94	PBT GF, UL 94
Contact plating	Ni, Au gal.	Ni, Au gal.
Contact material	CuZn	CuZn
Environmental data		
Special features	-	halogen-free, flame-resistant as per IEC 60332-1-2, oil-resistant as per DIN EN 60811-2-1
RoHS compliant	yes	yes
Ambient temperature (operation)	-30...+85 °C, -22...+185 °F	-30...+85 °C, -22...+185 °F
Protection class	IP 65/67 in screwed condition (according to IEC 60529)	IP 65/67 in screwed condition (according to IEC 60529)
Pollution level	3/2 (according to IEC 60664-1)	3/2 (according to IEC 60664-1)

Contact assembly

1	braun/brown
2	weiß/white
3	blau/blue
4	schwarz/black
5	grau/grey

Dimensions

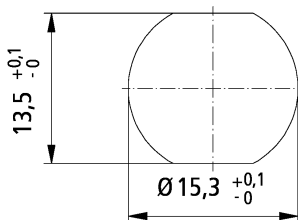


Notes

- Illustrations similar

Installation dimensions

Montageausschnitt / Panel cut out



Ordering information

ZK2000-5152-0000

sensor adapter, flange, M12, plug, straight, male, 5-pin – M12, socket, straight, female, 5-pin

Beckhoff®, TwinCAT®, EtherCAT®, EtherCAT G®, EtherCAT G10®, EtherCAT P®, Safety over EtherCAT®, TwinSAFE®, XFC®, XTS® and XPlanar® are registered trademarks of and licensed by Beckhoff Automation GmbH. Other designations used in this publication may be trademarks whose use by third parties for their own purposes could violate the rights of the owners.

© Beckhoff Automation GmbH & Co. KG 02/2021

The information provided in this brochure contains merely general descriptions or characteristics of performance which in case of actual application do not always apply as described or which may change as a result of further development of the products. An obligation to provide the respective characteristics shall only exist if expressly agreed in the terms of contract.