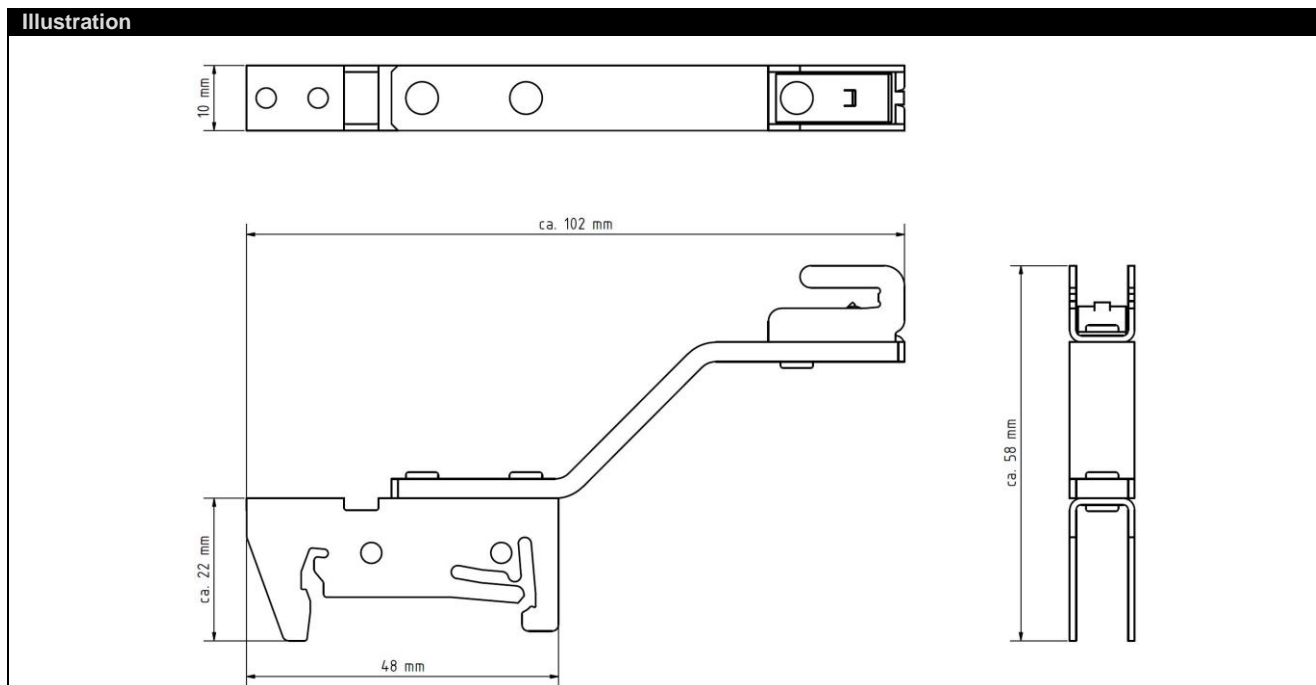


**ZB8520 |** Mounting rail holder for shield busbar (10 x 3 mm)

<b>Weight</b>	Ca. 40 g
<b>Conformity</b>	RoHS
<b>Packing unit</b>	2 pieces



Ordering information	Description
ZB8520	Mounting rail holder for shield busbar (10 x 3 mm), packing unit = 2 pieces