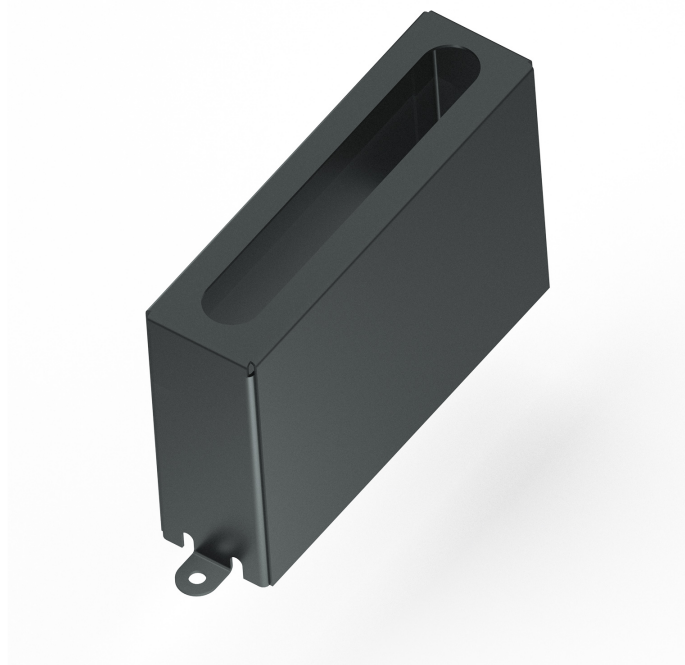
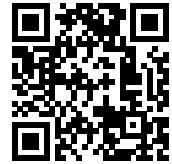


BG2000-0010 | ATEX protection enclosure for IP 67 box, extra high



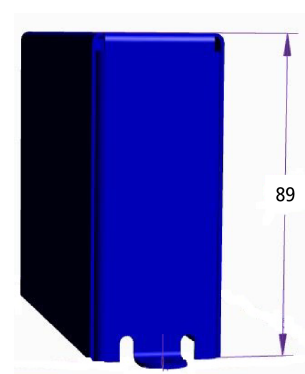
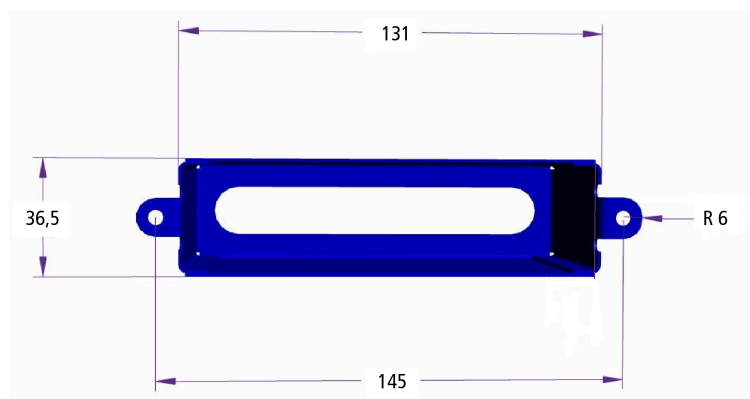
Mechanical data

Wall thickness	1.0 mm
Body color	black, similar to RAL 9005
Body material	Stainless steel 1.4301

Environmental data

Use	For environment with an explosive atmosphere
-----	--

Dimensions



Notes

- Illustrations similar

Ordering information

BG2000-0010

ATEX protection enclosure for IP 67 box, extra high

Beckhoff®, TwinCAT®, TwinCAT/BSD®, TC/BSD®, EtherCAT®, EtherCAT G®, EtherCAT G10®, EtherCAT P®, Safety over EtherCAT®, TwinSAFE®, XFC®, XTS® and XPlanar® are registered trademarks of and licensed by Beckhoff Automation GmbH. Other designations used in this publication may be trademarks whose use by third parties for their own purposes could violate the rights of the owners.

© Beckhoff Automation GmbH & Co. KG 10/2021

The information provided in this brochure contains merely general descriptions or characteristics of performance which in case of actual application do not always apply as described or which may change as a result of further development of the products. An obligation to provide the respective characteristics shall only exist if expressly agreed in the terms of contract.