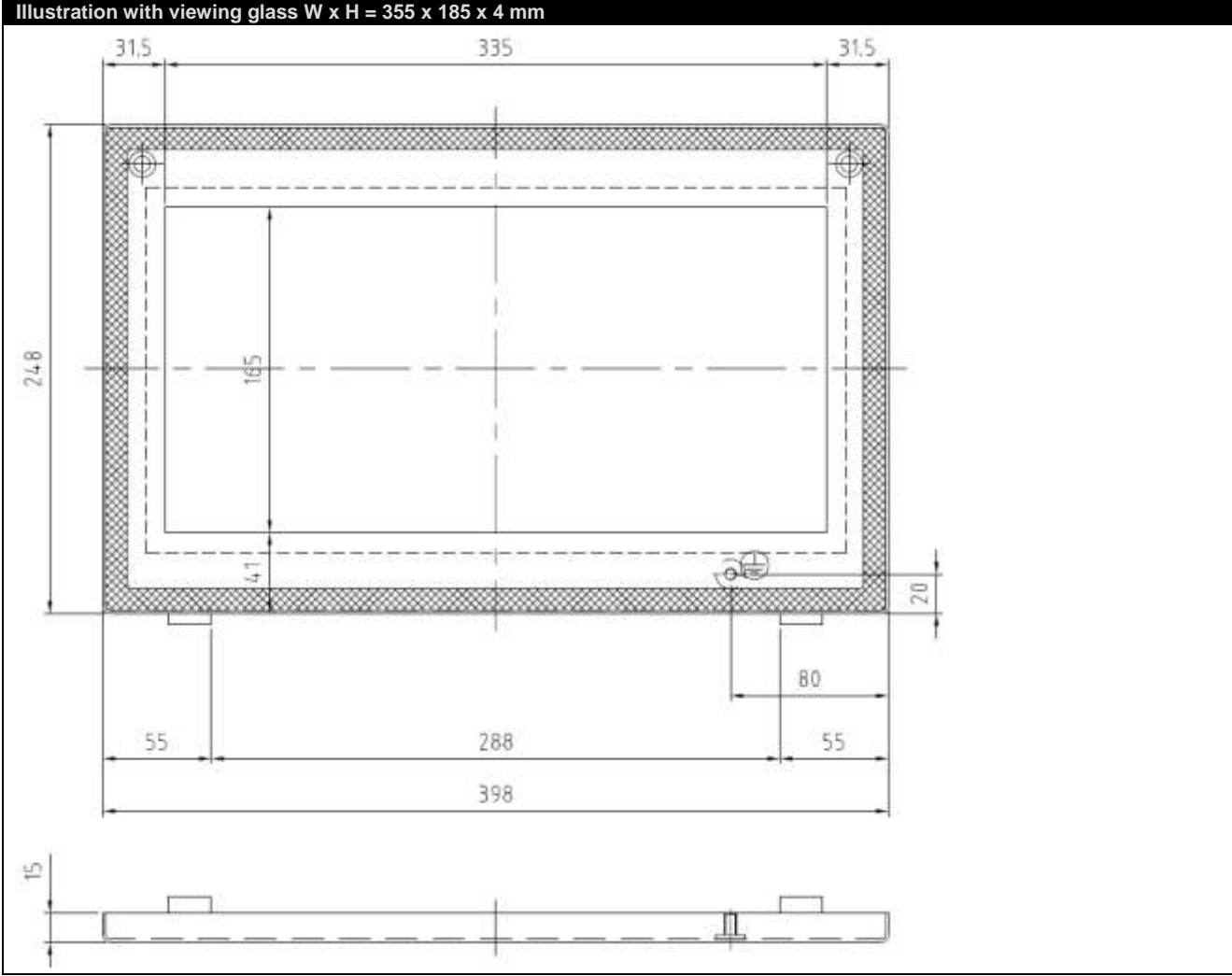
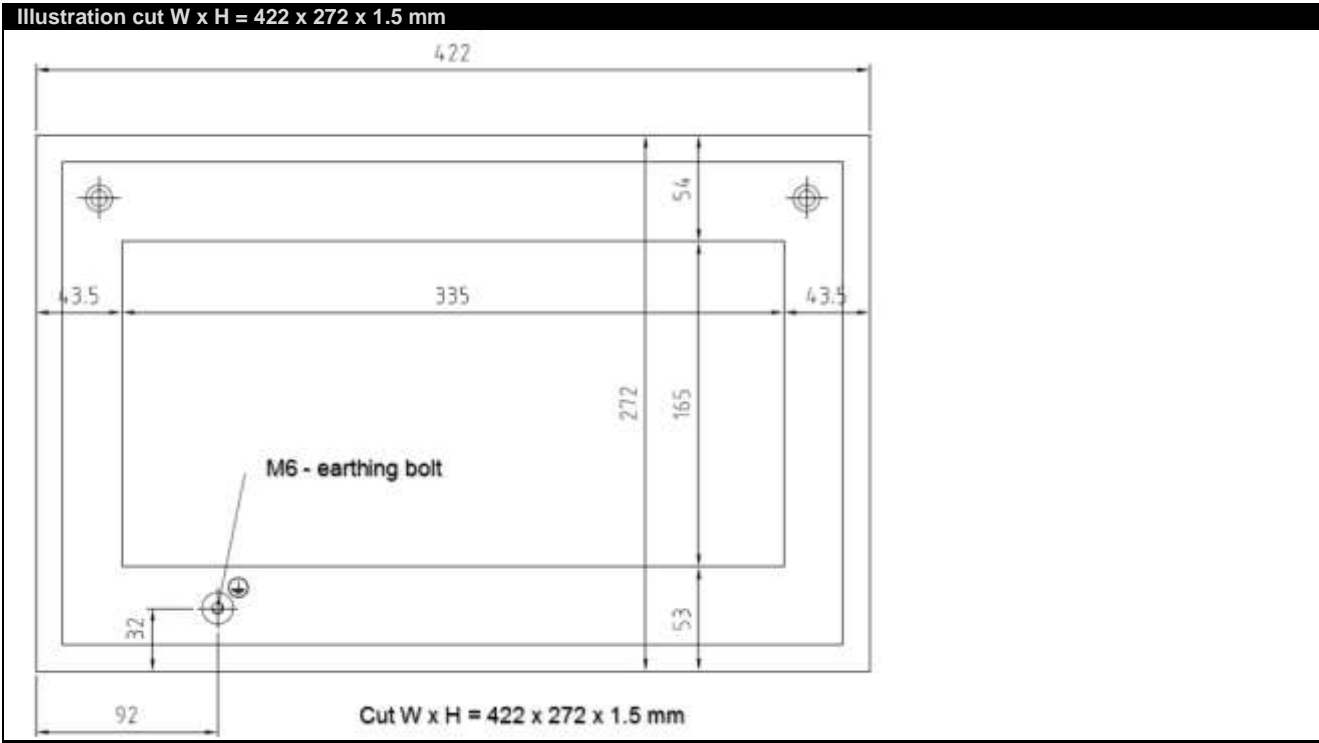
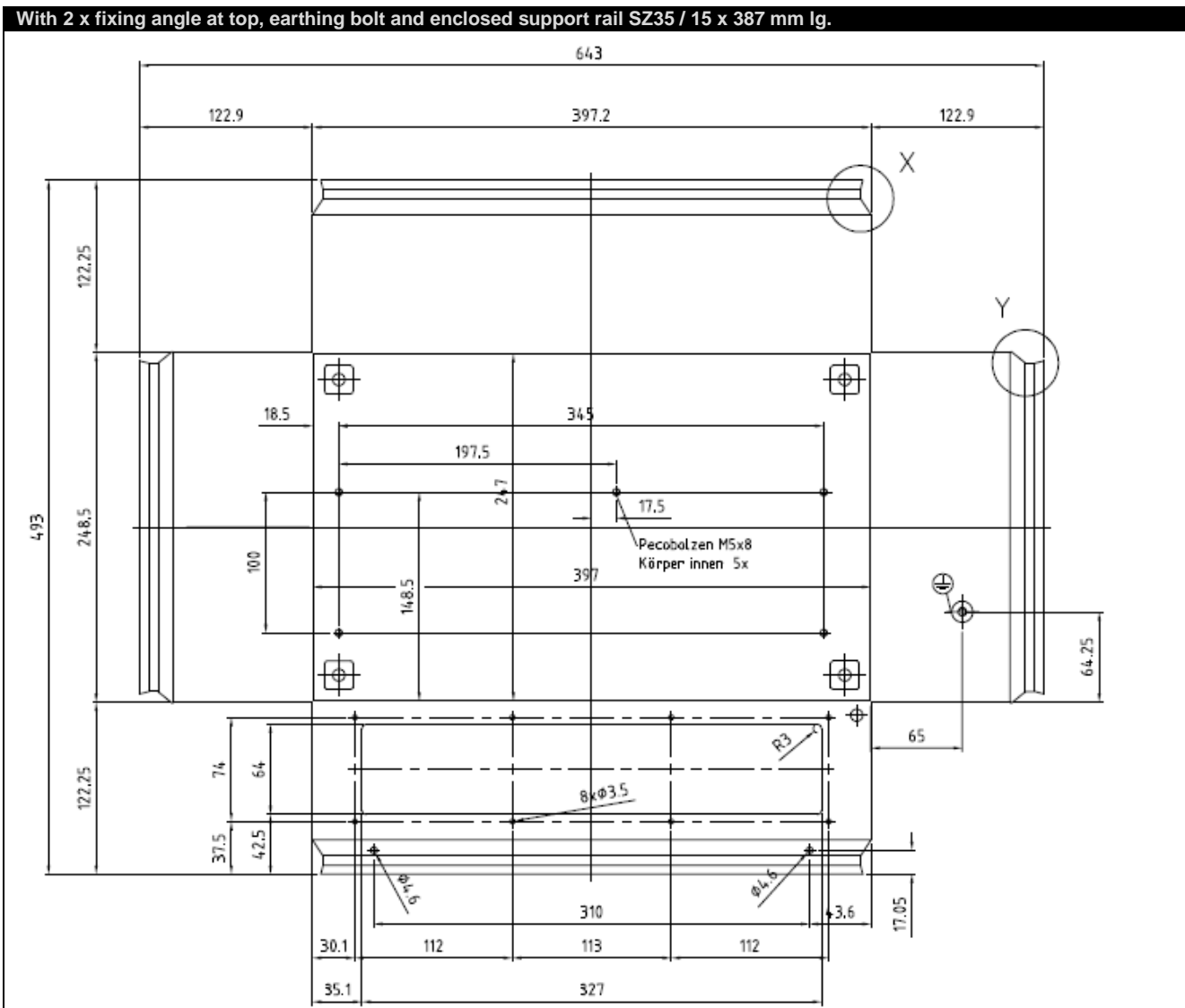
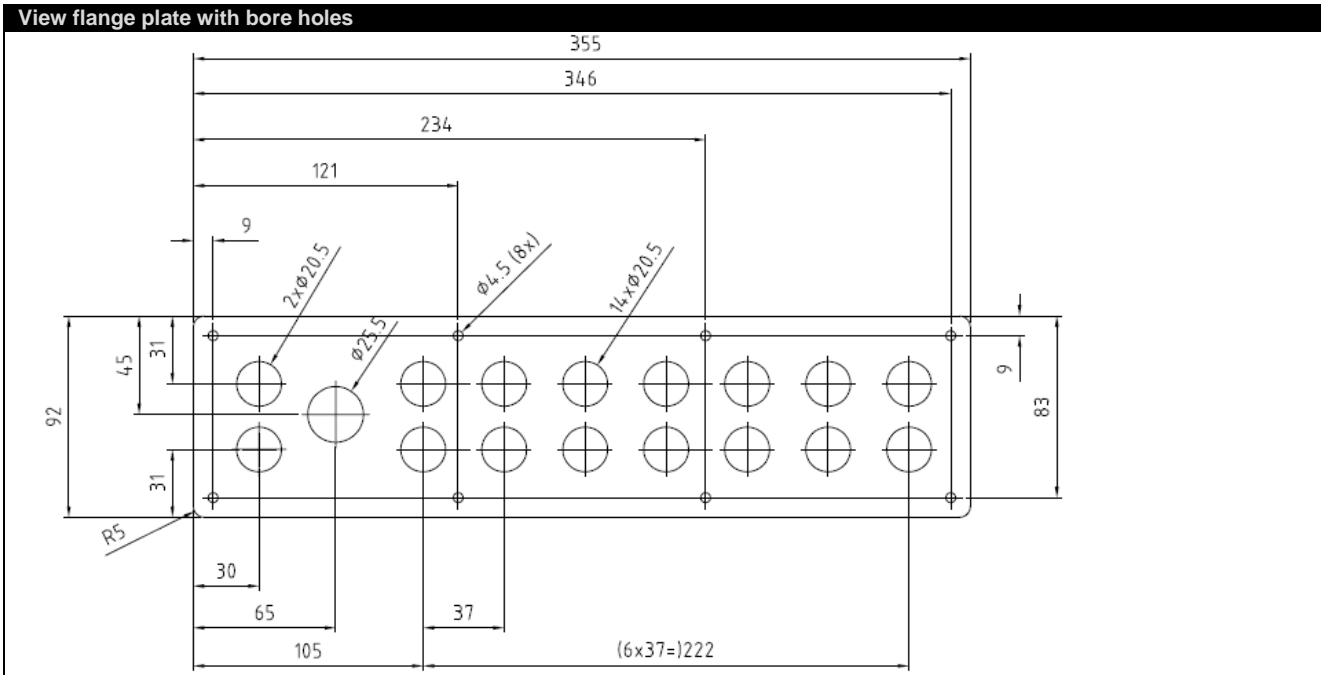
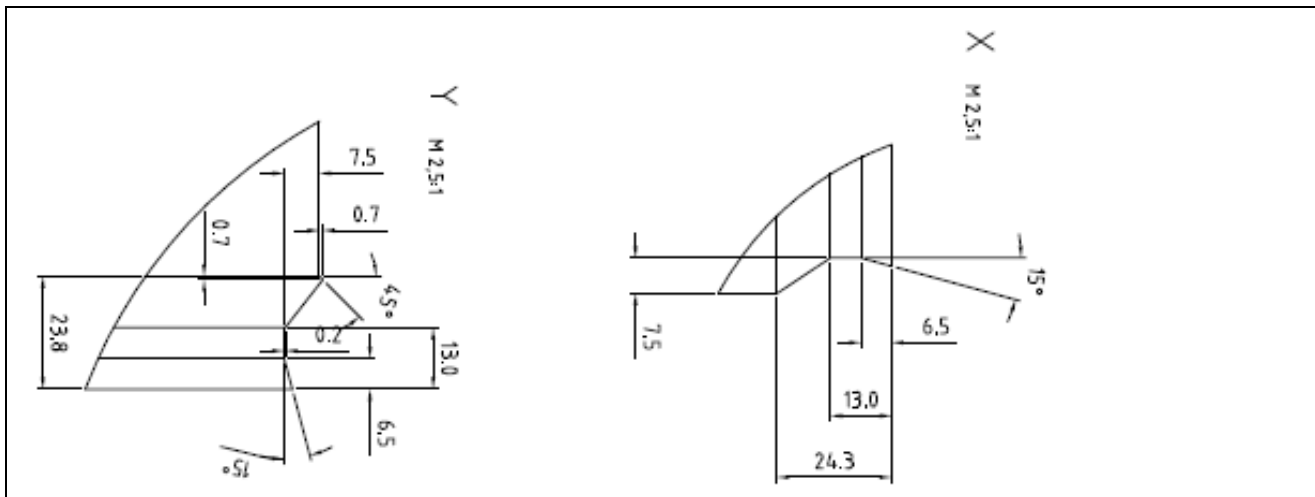


BG1568 | Empty housing for bus terminals and EtherCAT terminals 400 mm x 250 mm x 120 mm (WxHxL) with inspection window with DIN rail, flange plate with bore holes

Information: On request, the housings are completely equipped with bus terminals or EtherCAT terminals, modified flange plate and PG screw connections deliverable. Other sizes on request.







Dimensions	
Width	400.00 mm
Heigh	250.00 mm
Length	125.00 mm
Ordering information	
BG1568	Empty housing for bus terminals and EtherCAT terminals 400 mm x 250 mm x 120 mm (WxHxL) with inspection window with DIN rail, flange plate with bore holes