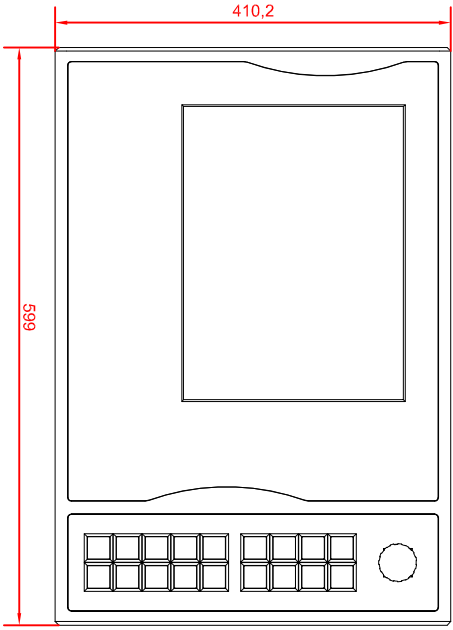
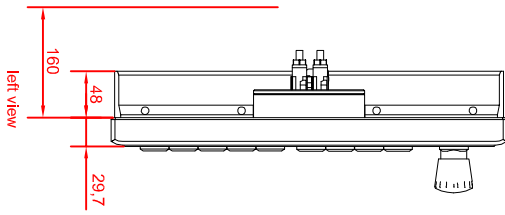


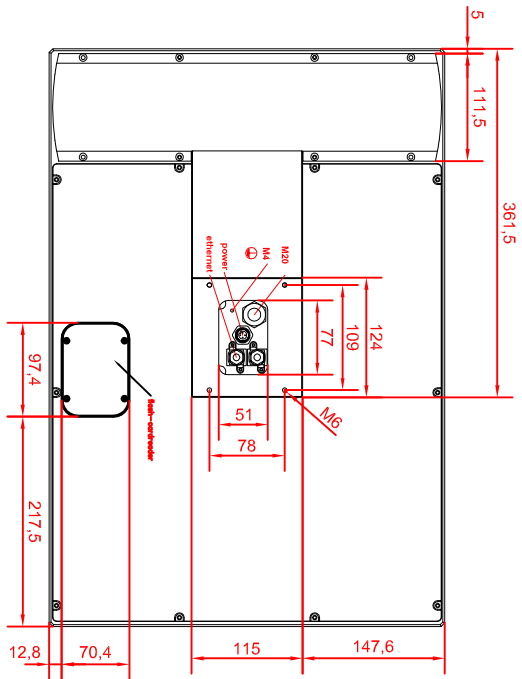
bottom view



front view



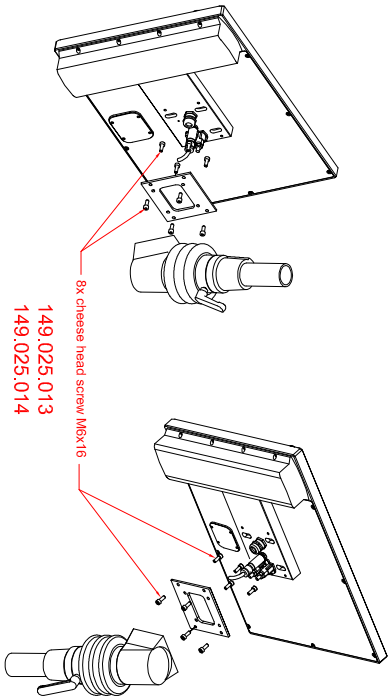
left view



rear view

CP7732-0000-E878
arm adapter for
Rolec - Tara - suspension adaption
146.025.019

main dimensions and
fixing points
dimensions in mm



149.025.013
149.025.014

Ex cheese head screw M6x16