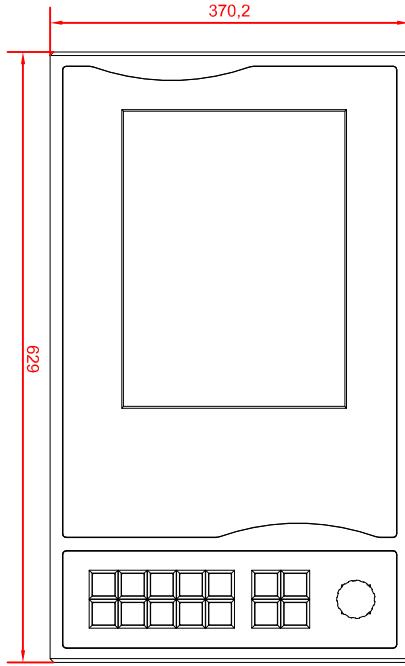
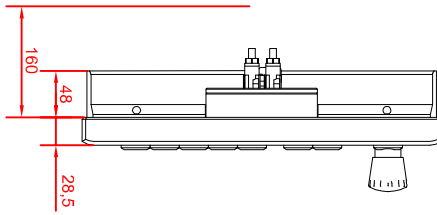


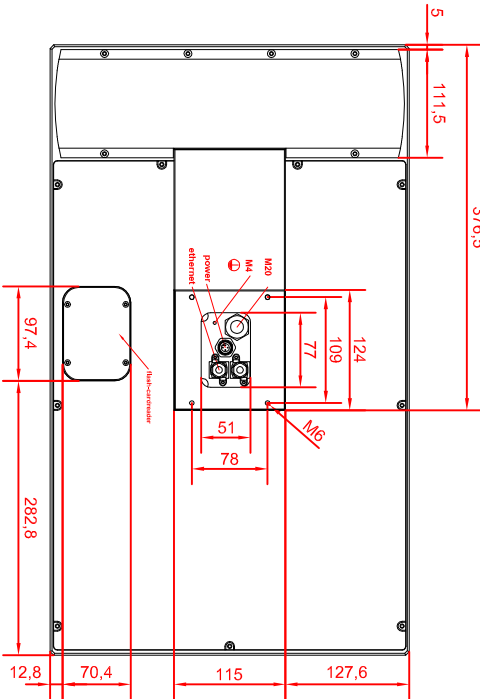
bottom view



front view



left view

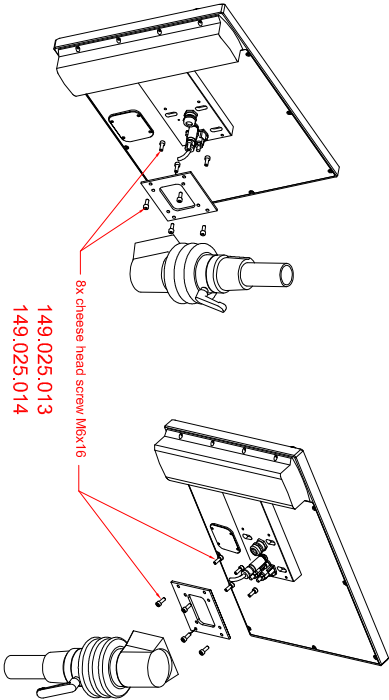


rear view

CP7722-0001-E868  
 arm adapter for  
 Roltec - Tara  
 146.025.019

main dimensions and  
 fixing points

dimensions in mm



8x cheese head screw M6x16

149.025.013  
 149.025.014