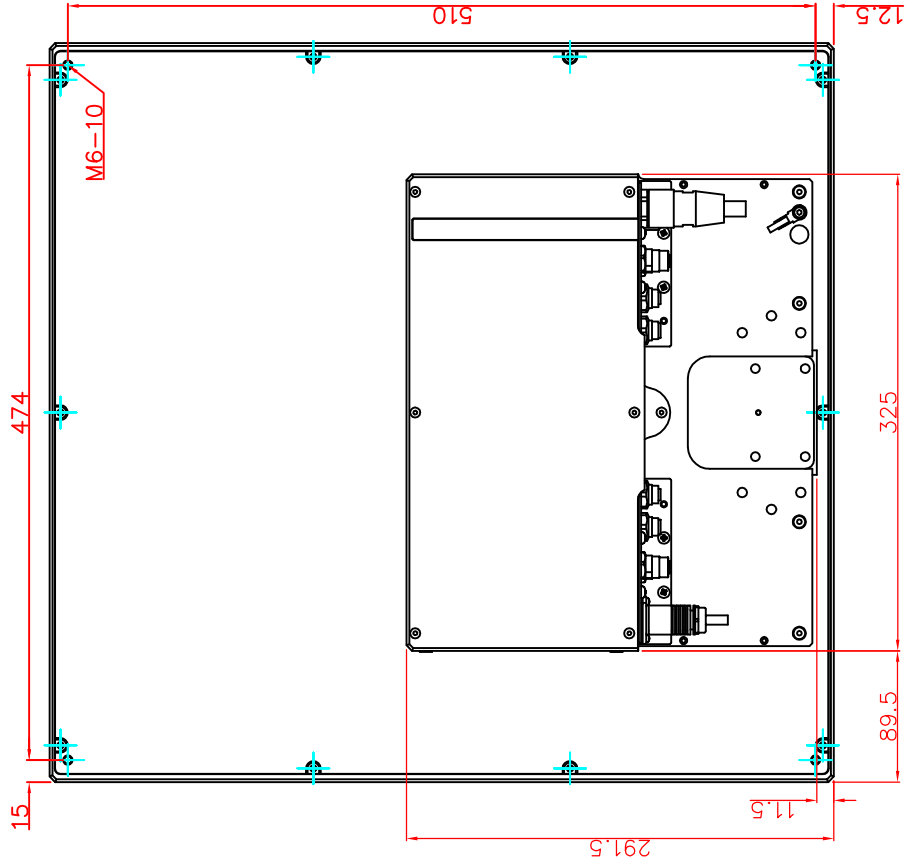
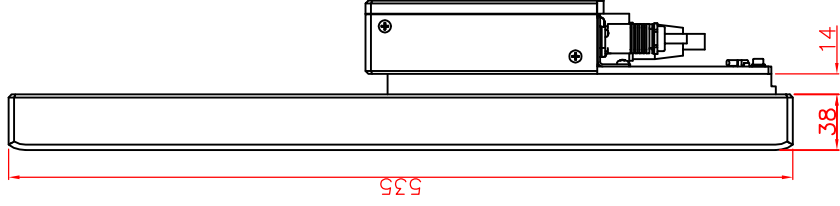


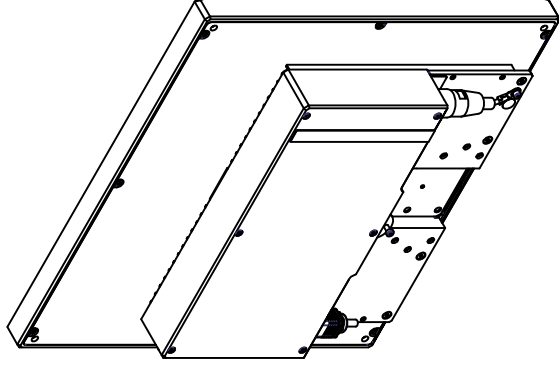
bottom view



rear view



right view



CP7233-0002-M164

main dimensions and fixing points

dimensions in mm

dimensions in mm