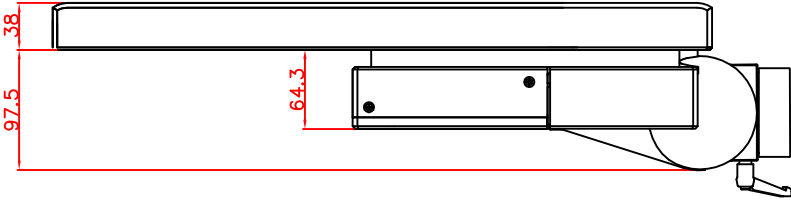
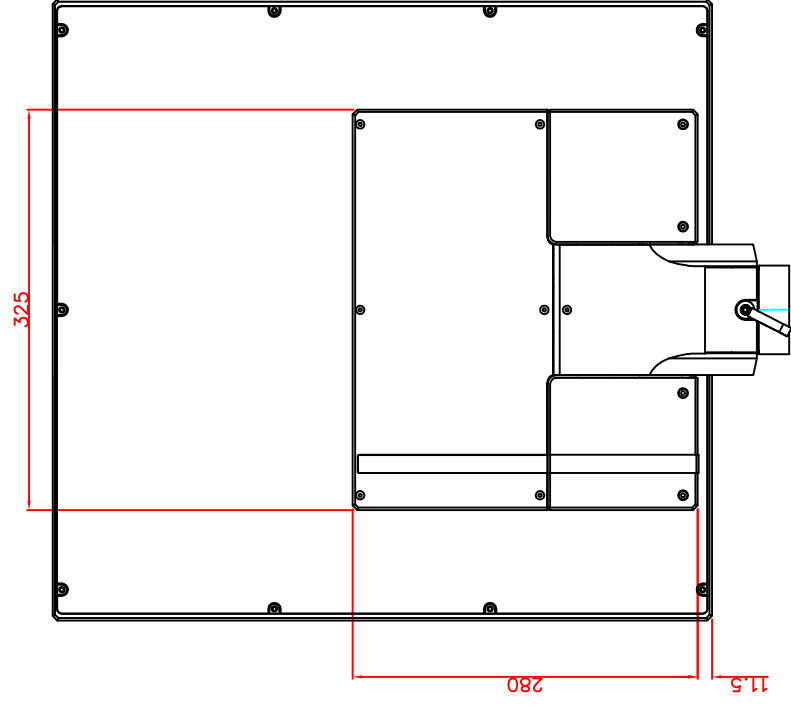


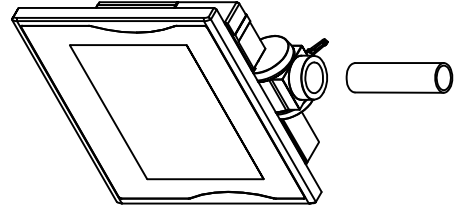
front view



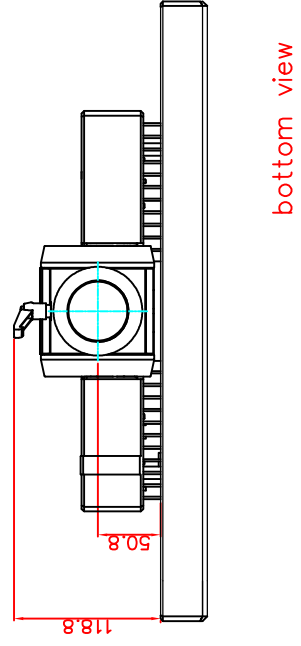
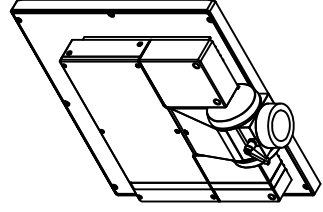
left view



rear view



CP7233-0000-M163
 Ø48 mm fixingtube
 main dimensions and fixing
 points
 dimensions in mm



bottom view