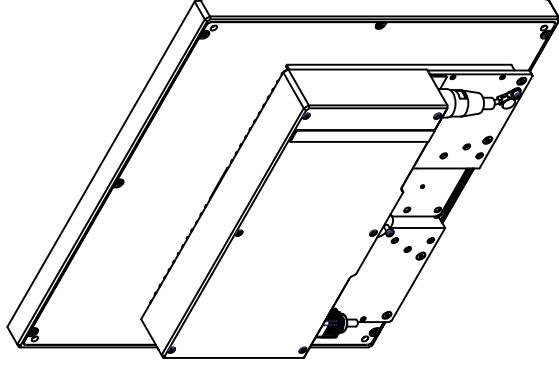


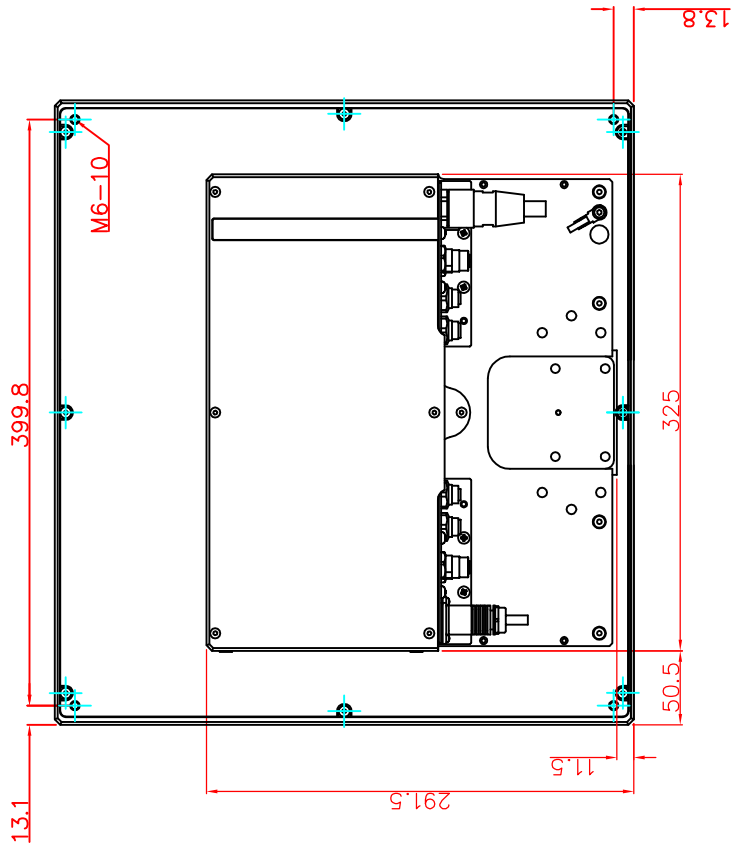
bottom view



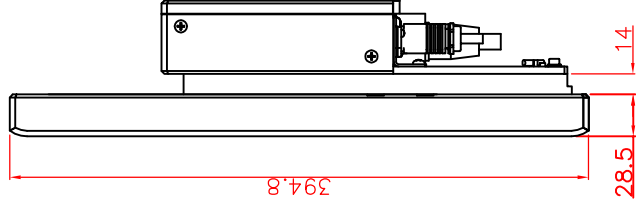
CP7212-0000-M164

main dimensions and fixing points

dimensions in mm



rear view



right view

dimensions in mm