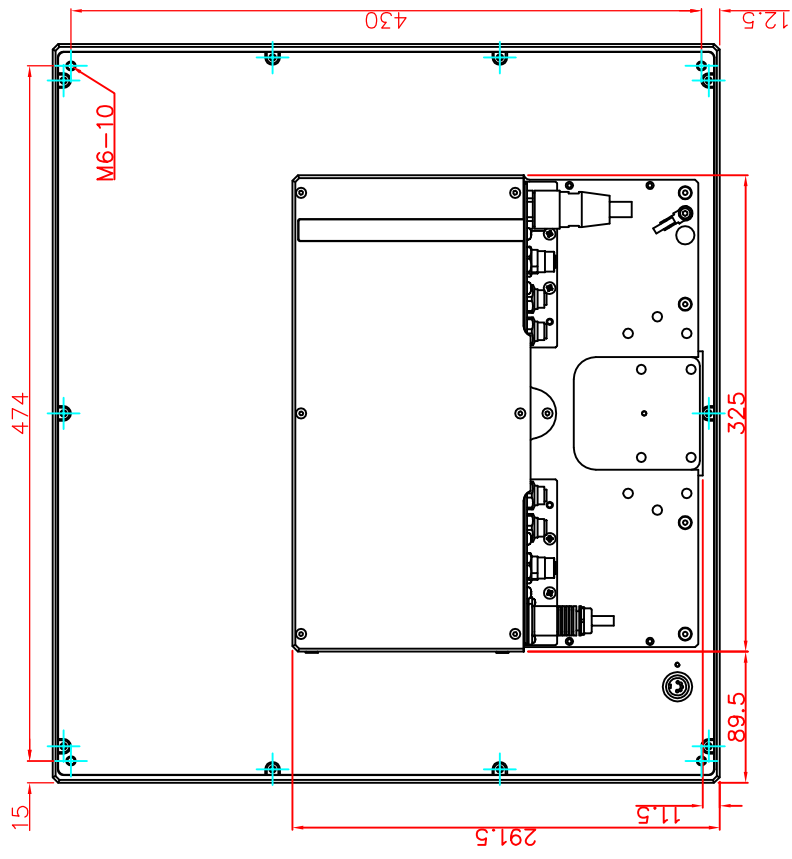
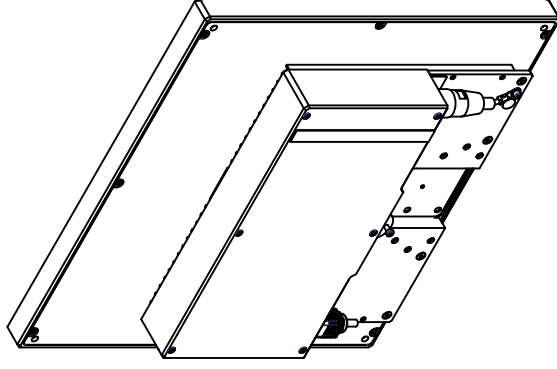


bottom view



rear view

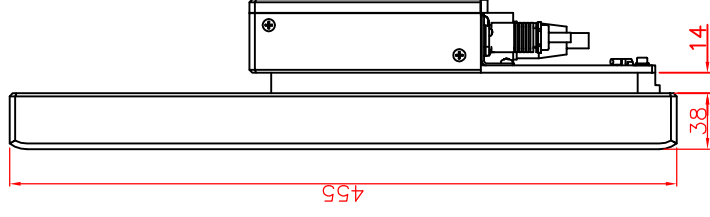
dimensions in mm



CP7203-0000-M164-E169

main dimensions and fixing points

dimensions in mm



right view