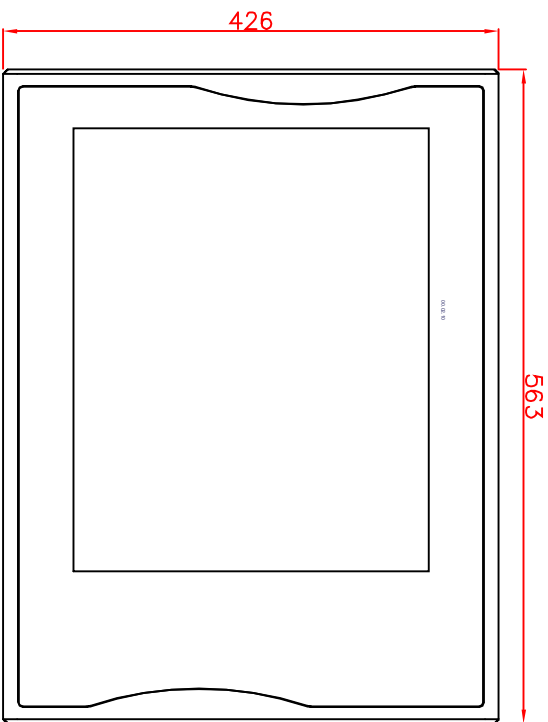
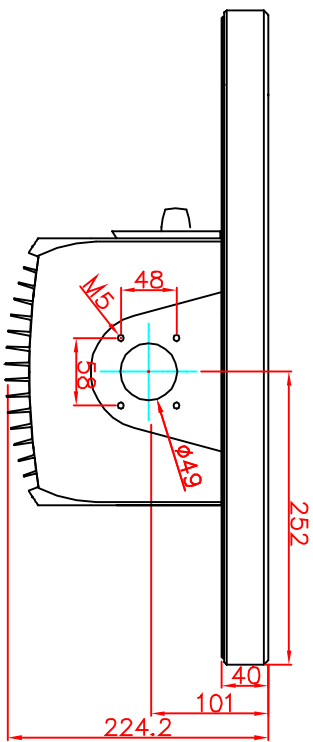
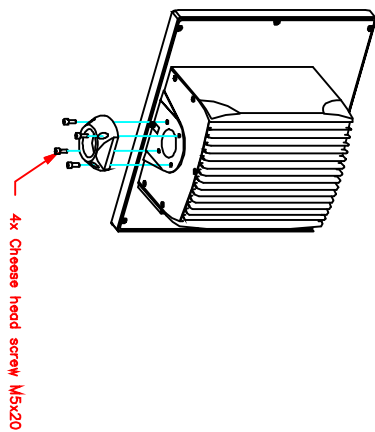
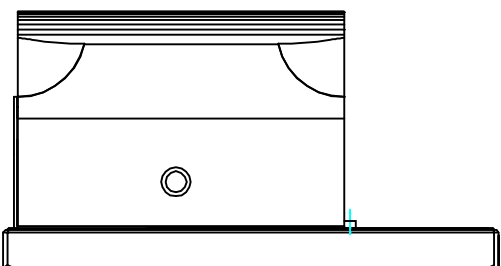


CP7123-0001-M154
mounting arm adapter
for Roltec Tara-48-60
146.025.016

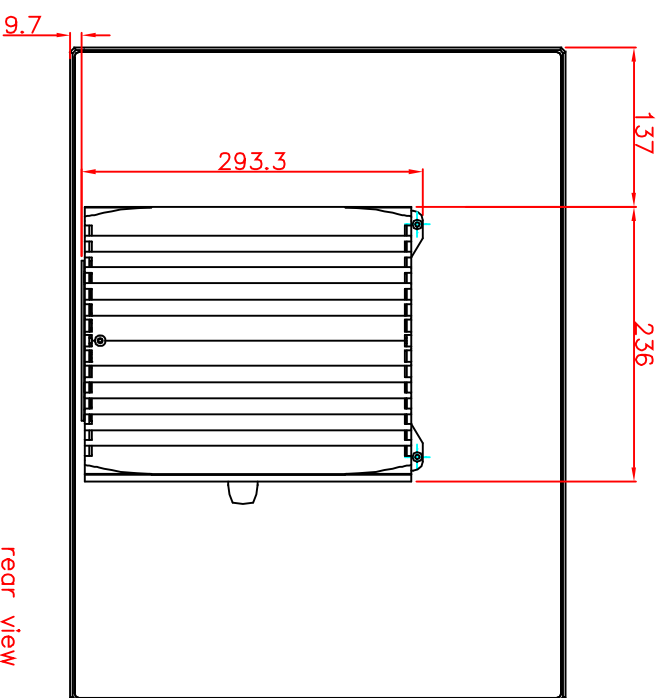
main dimensions and fixing
points
dimensions in mm



front view



right view



rear view