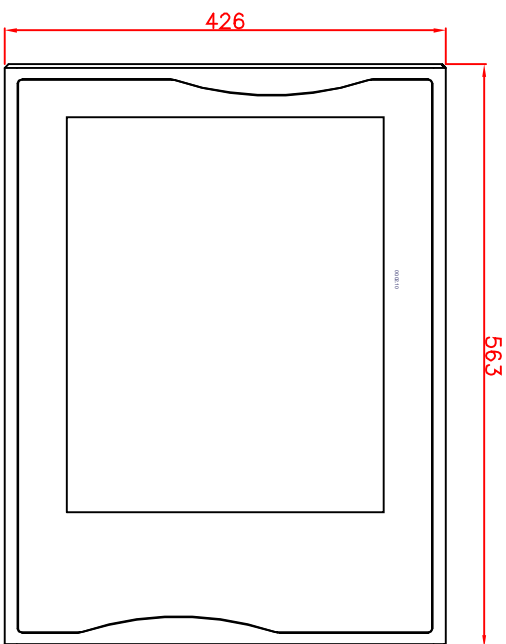
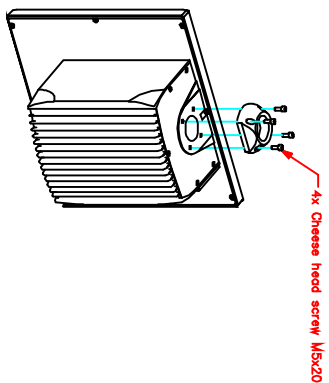
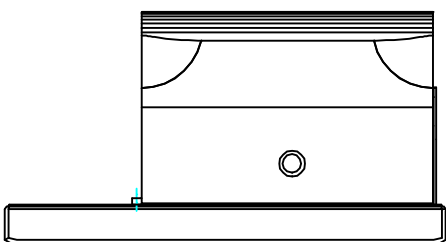


CP7123-0001-M152
mounting arm adapter
for Rolec Tara-48-60
146.025.016

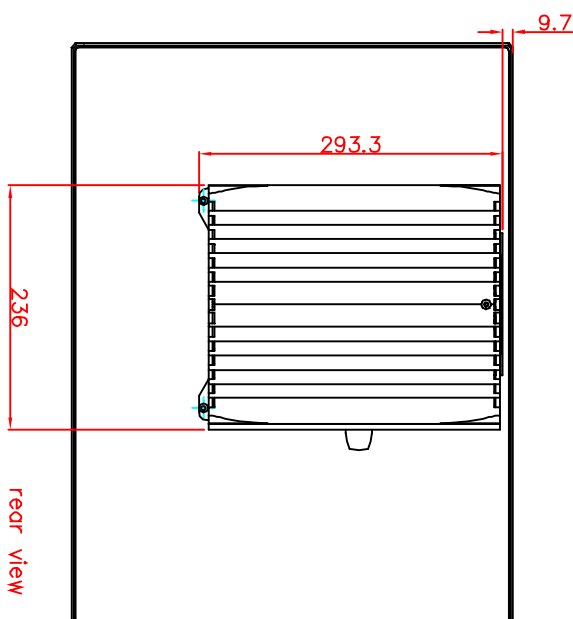
main dimensions and fixing
points
dimensions in mm



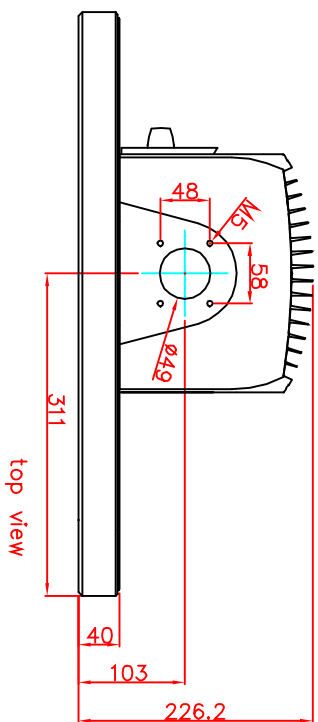
front view



right view



rear view



top view