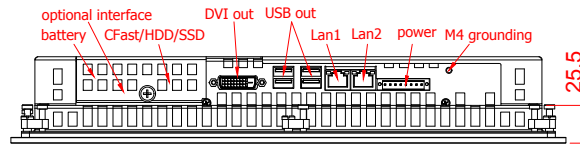


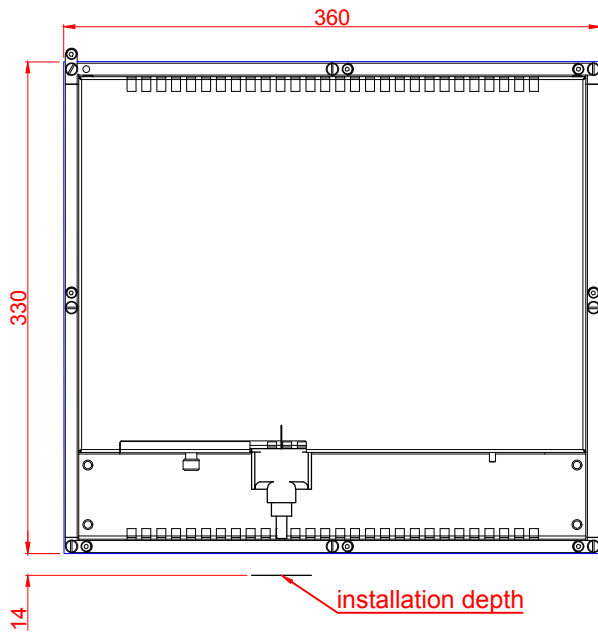
CP6711-0001-0040

main dimensions and  
fixing points

dimensions in mm

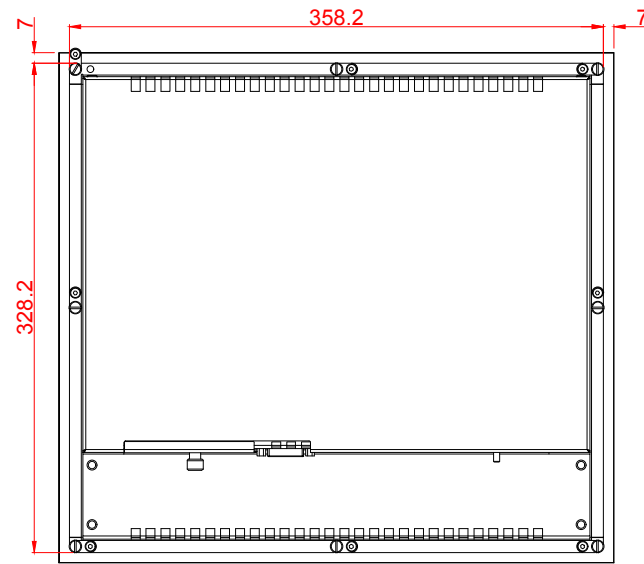


bottom view

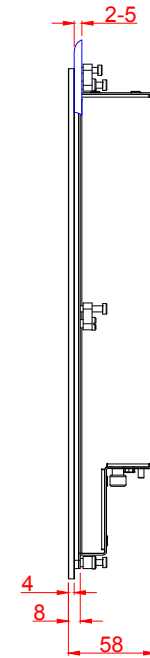


cut out dimensions: 330mm x 360mm

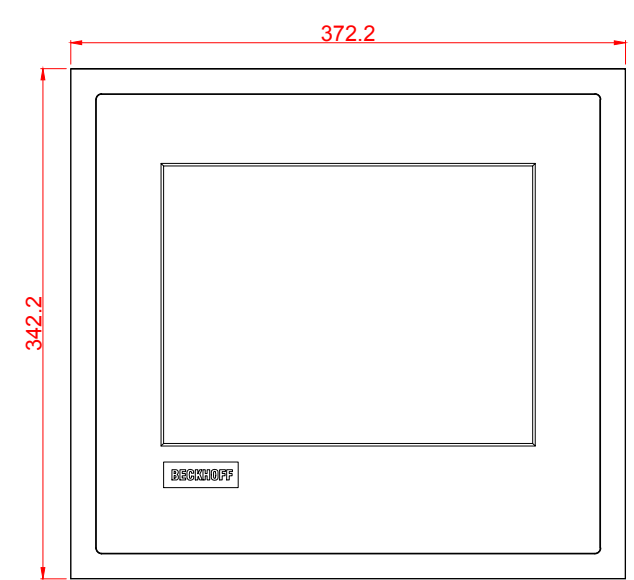
rear view



rear view



left view



front view