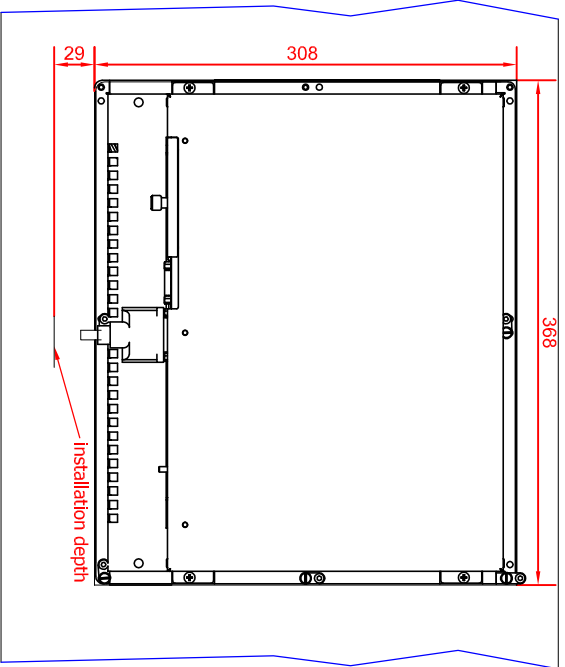
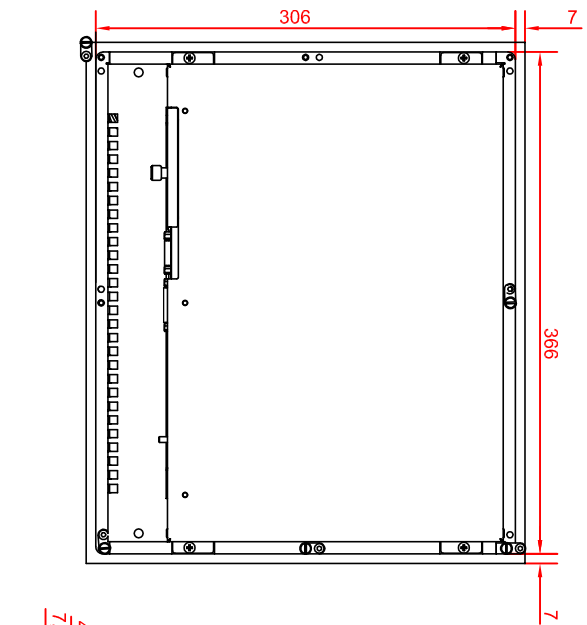


bottom view

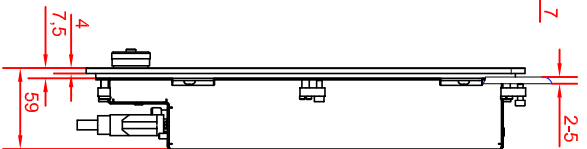


rear view
with
install measure

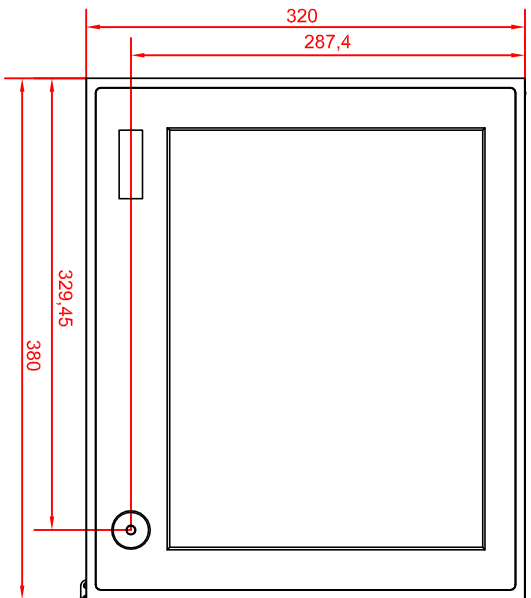


rear view

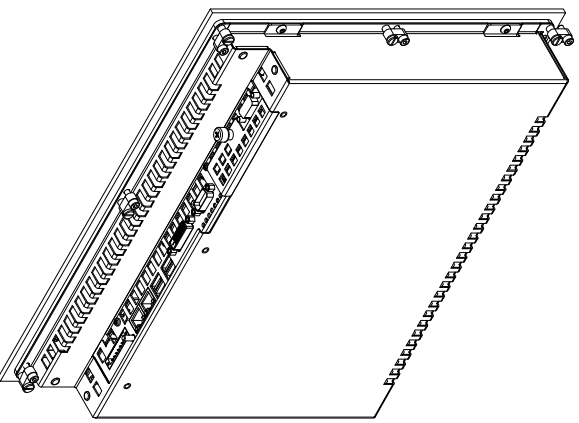
dimensions in mm



right view



front view



CP6202-0001_2Port-USB A interface
main dimensions