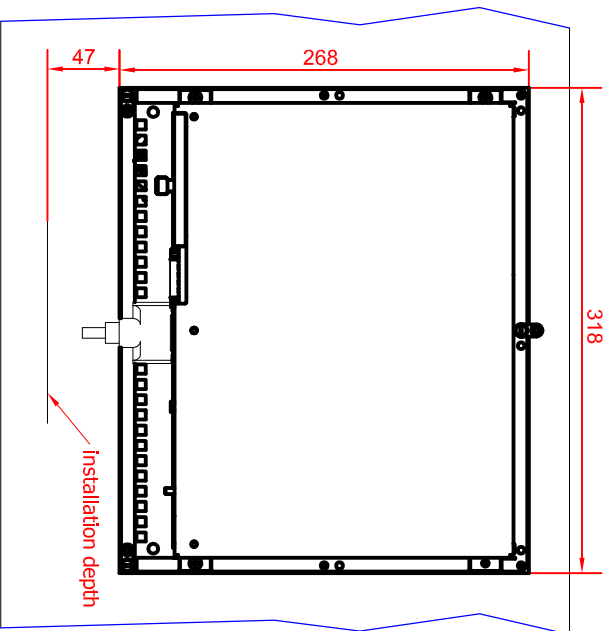
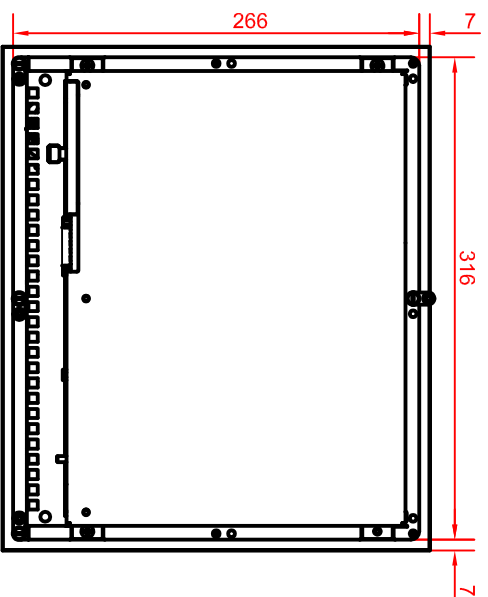


bottom view



rear view
with
install measure

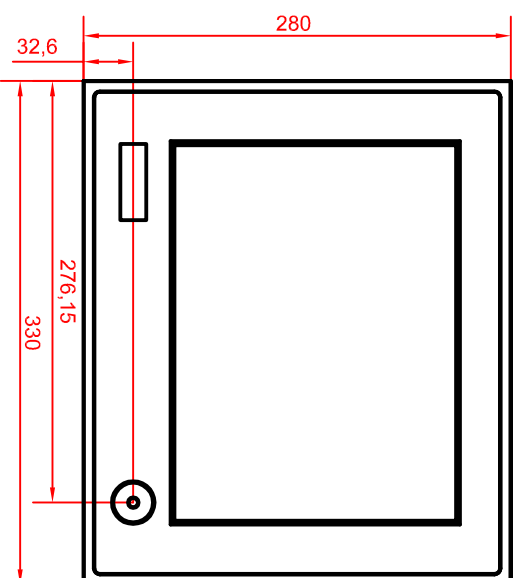


rear view

dimensions in mm



right view



front view

CP6201-0000_2Port USB-A interface
main dimensions

