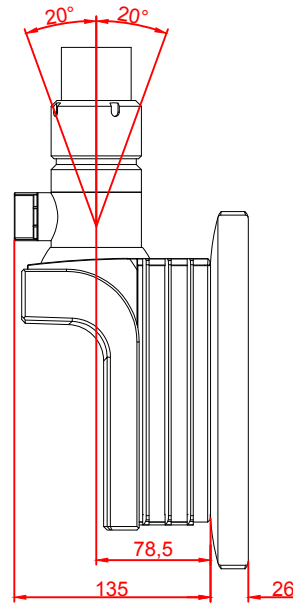
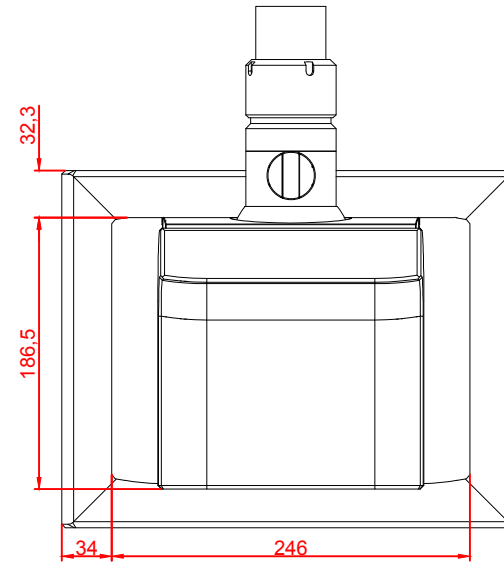


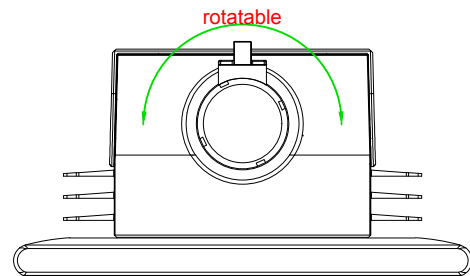
front view



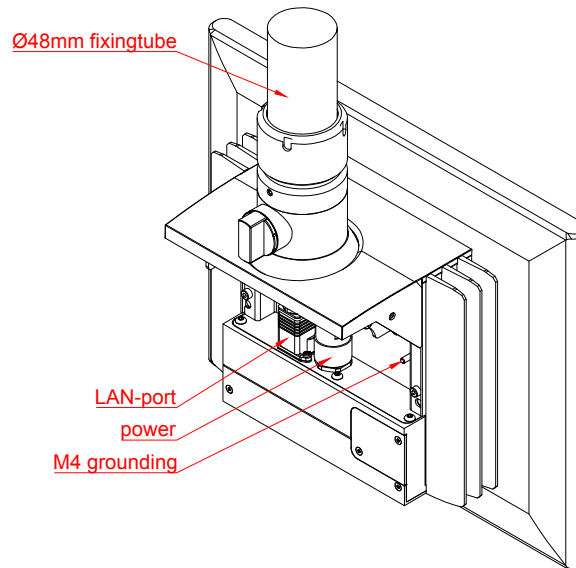
left view



rear view



top view



CP3712

main dimensions and  
fixing points

dimensions in mm