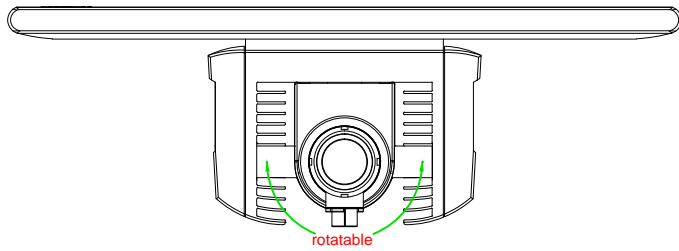


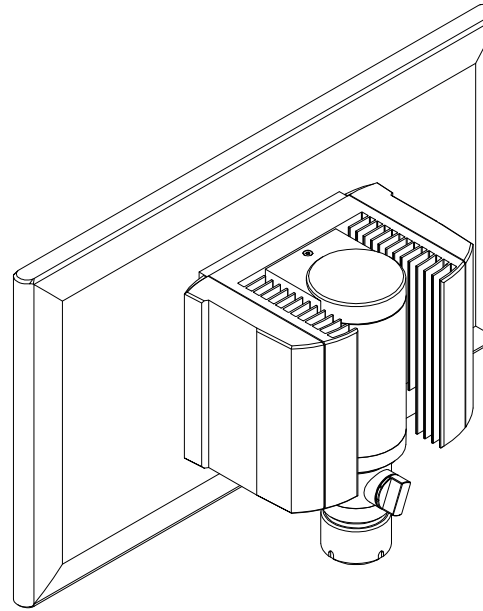
CP3224-M184

main dimensions and
fixing points

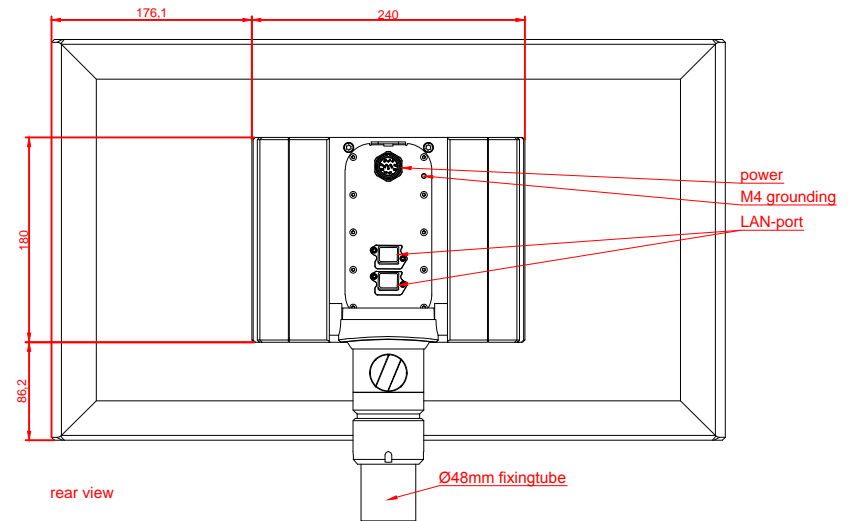
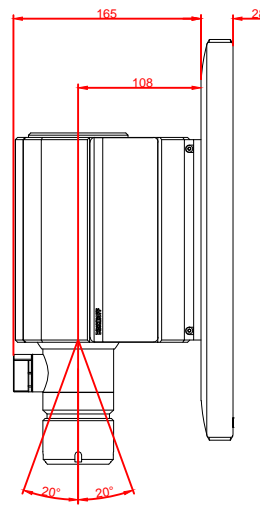
dimensions in mm



bottom view



front view



rear view