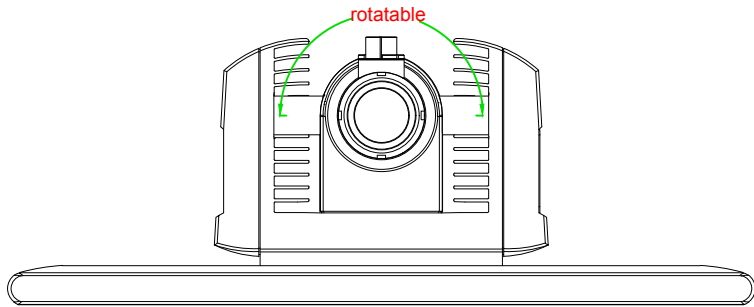


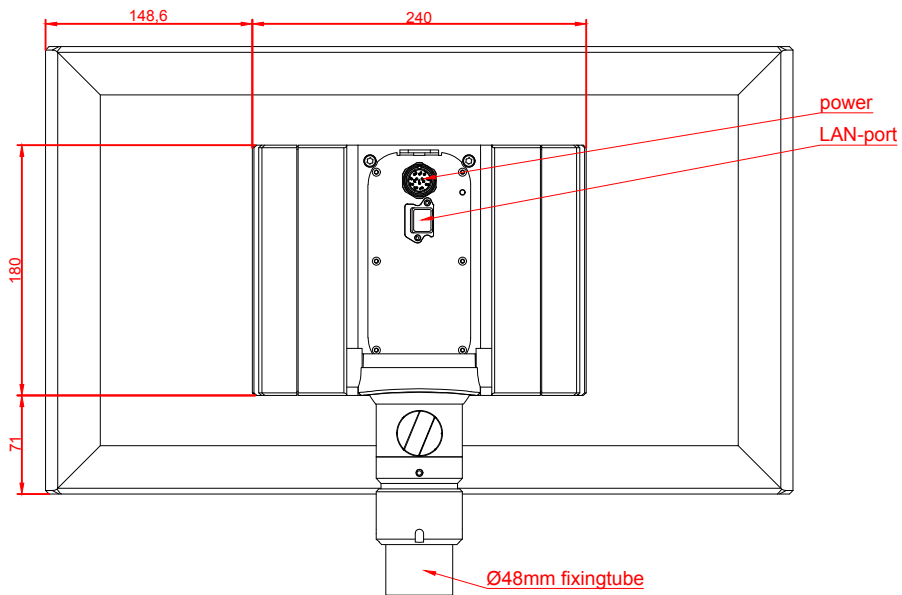
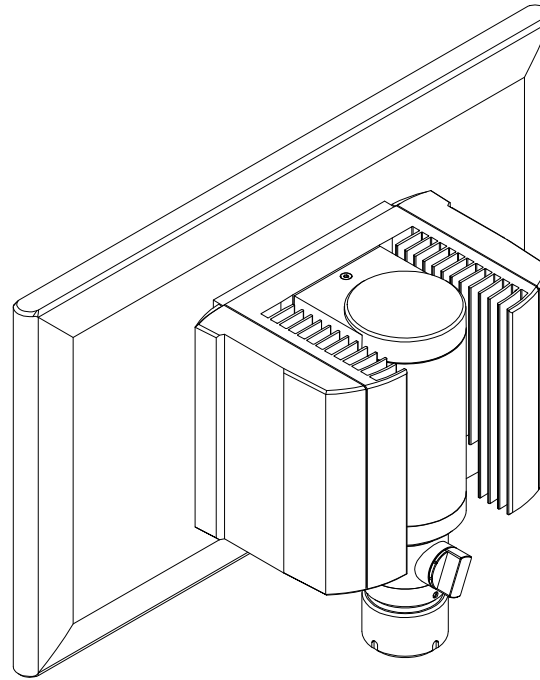
# CP3221-M184

main dimensions and  
fixing points

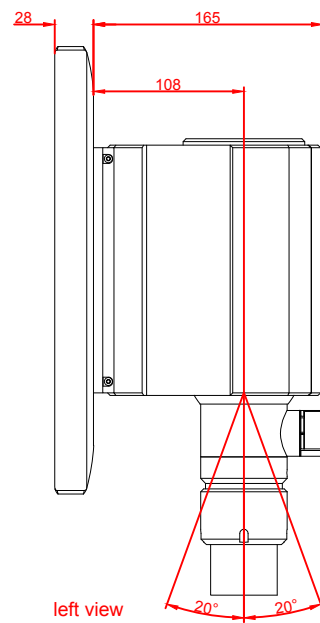
dimensions in mm



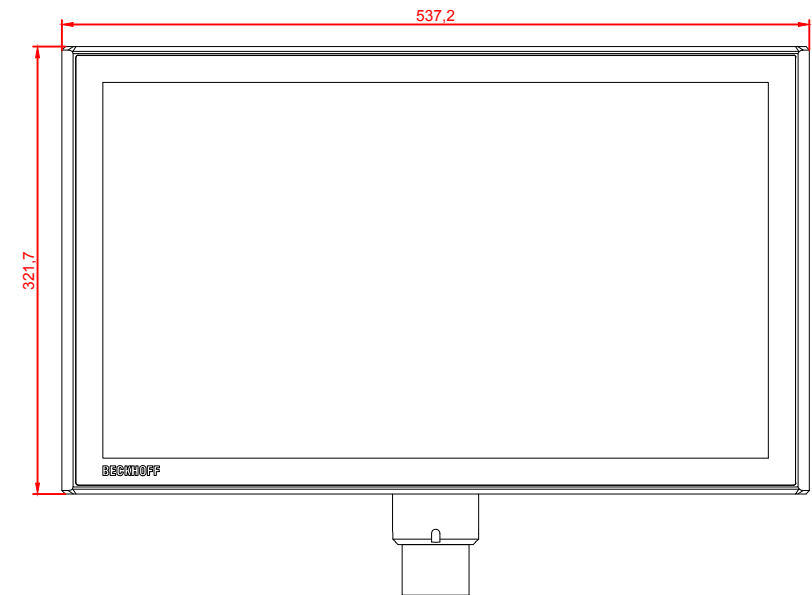
bottom view



rear view



left view



front view