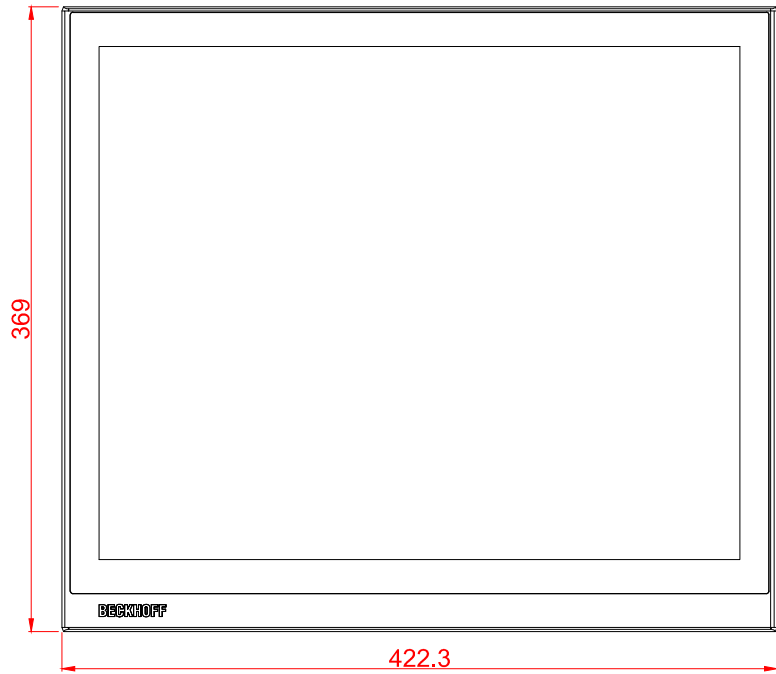


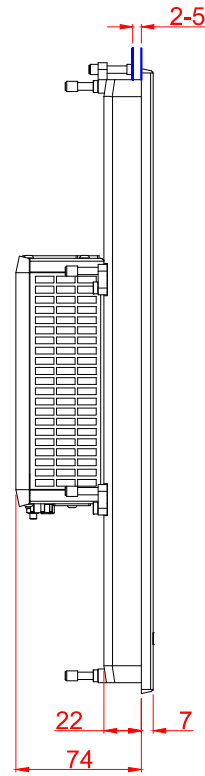
CP2719

main dimensions and
fixing points

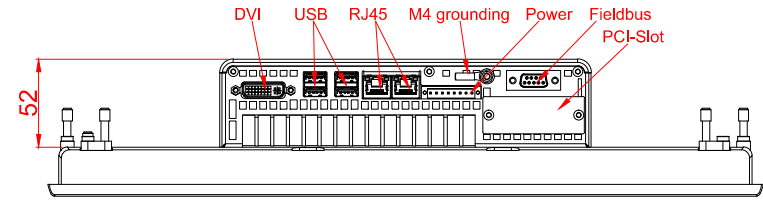
dimensions in mm



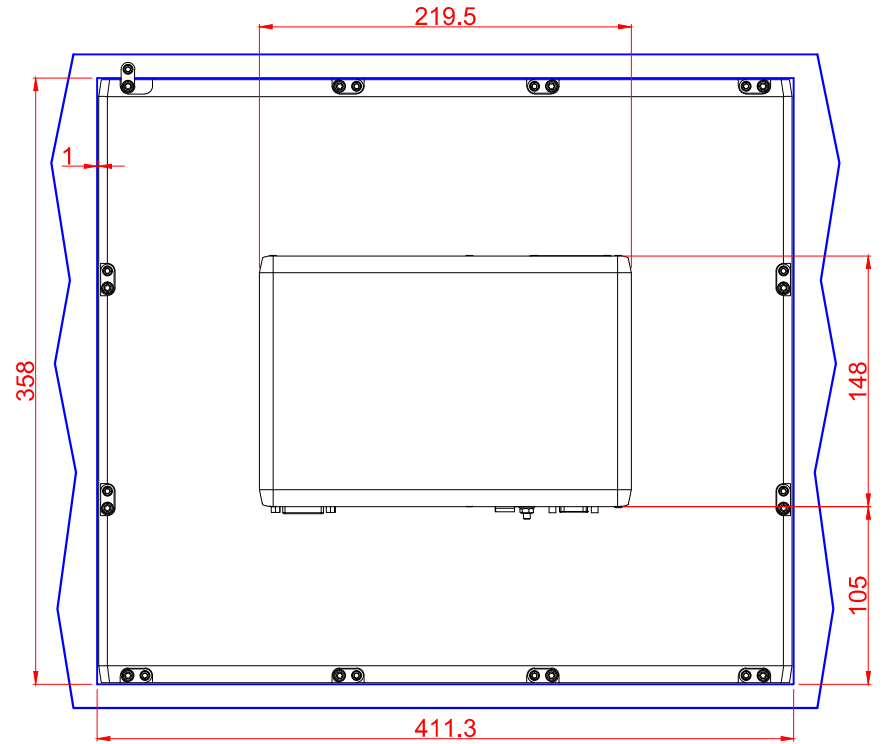
front view



left view

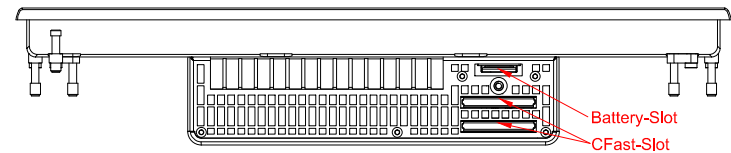


bottom view



cut out dimensions: 358mm x 411.3mm

rear view



top view