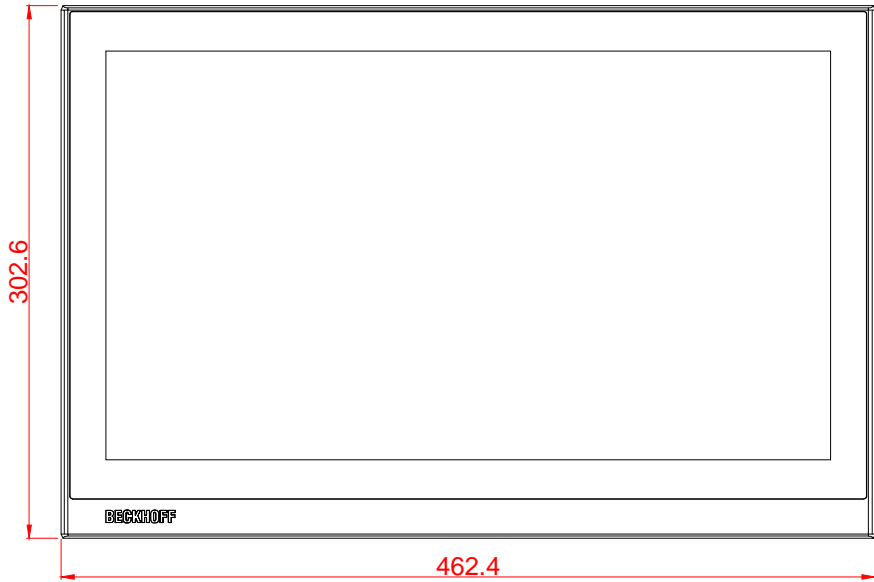


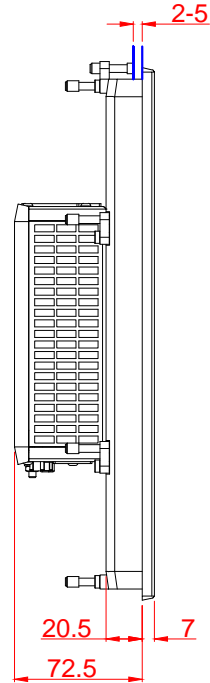
CP2718

main dimensions and
fixing points

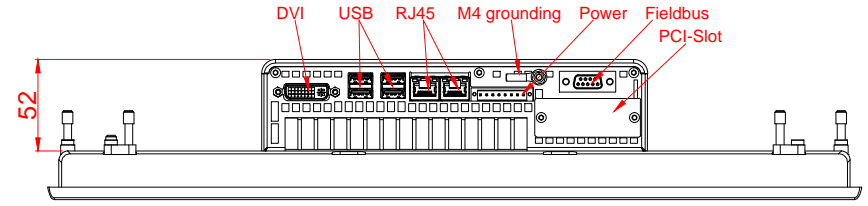
dimensions in mm



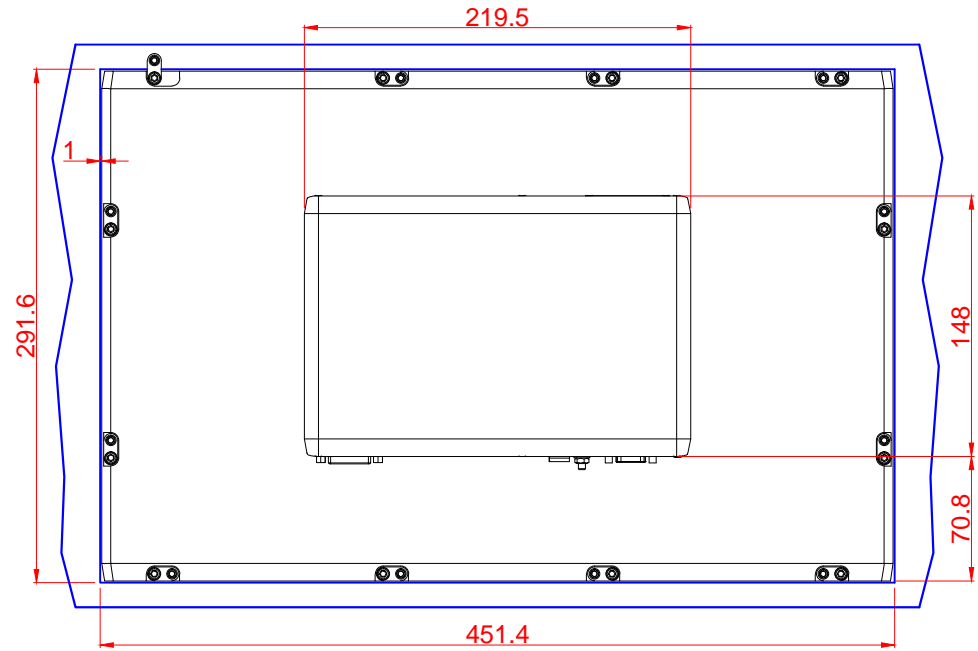
front view



left view

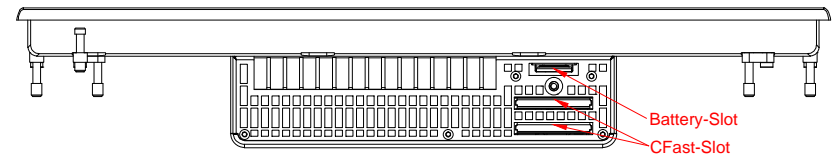


bottom view



cut out dimensions: 291.6mm x 451.4mm

rear view



top view