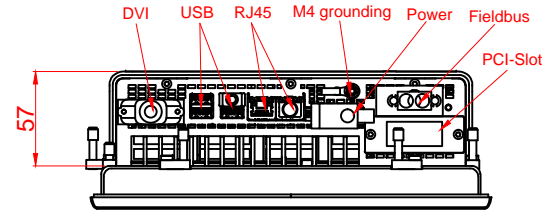


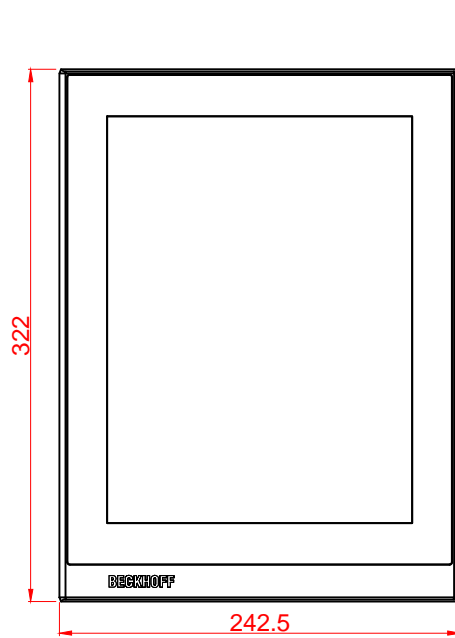
# CP2712-M575

main dimensions and  
fixing points

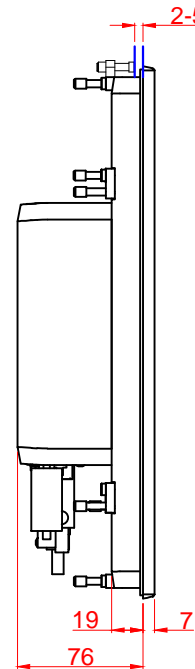
dimensions in mm



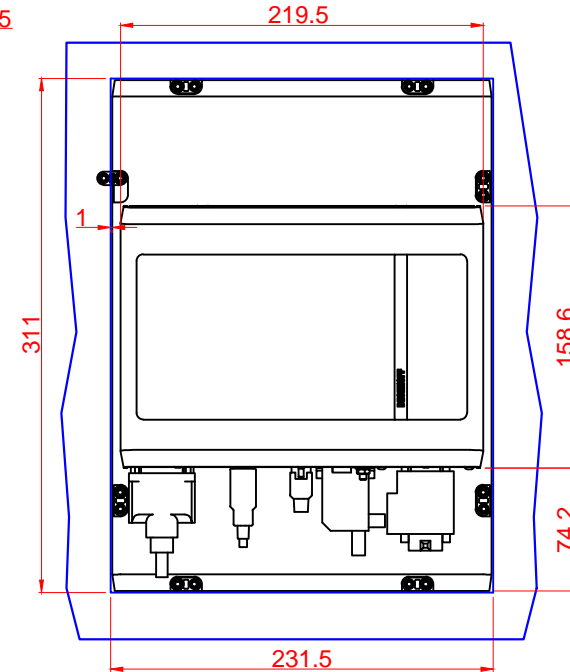
bottom view



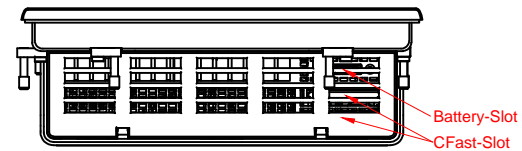
front view



left view



cut out dimensions: 311mm x 231.5mm  
rear view



top view