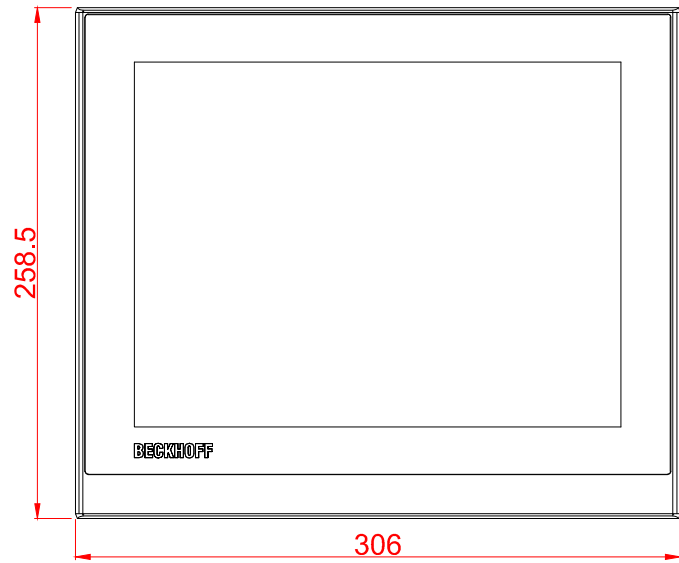


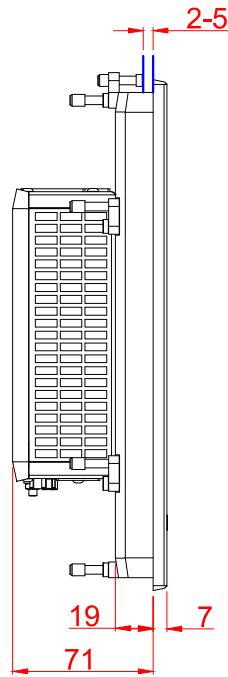
# CP2712

main dimensions and  
fixing points

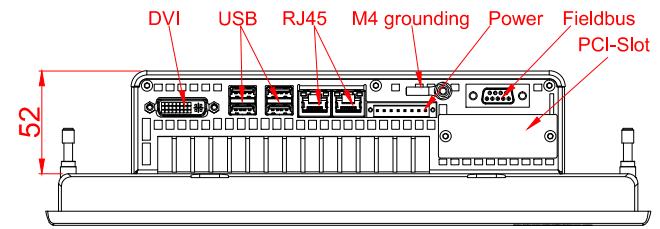
dimensions in mm



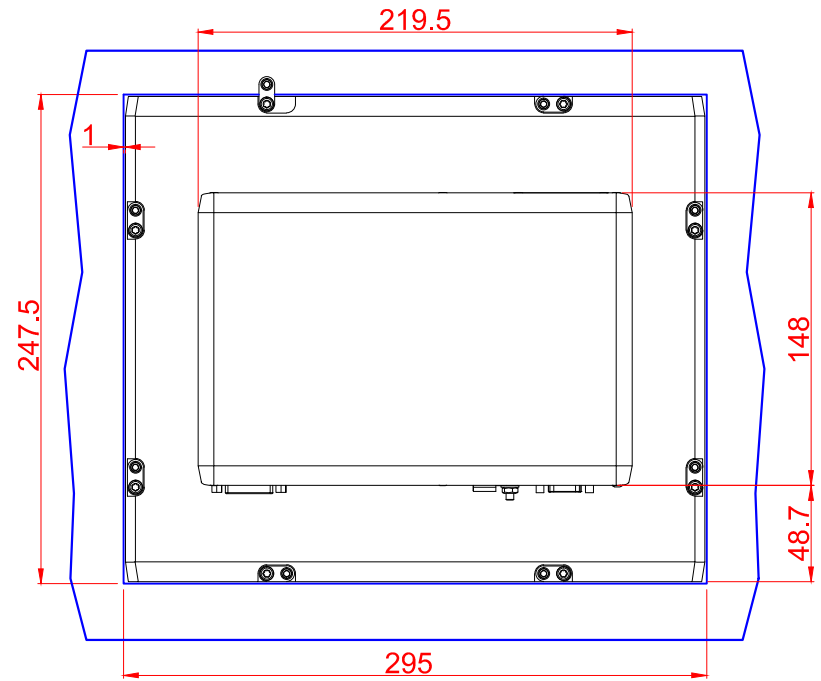
front view



left view

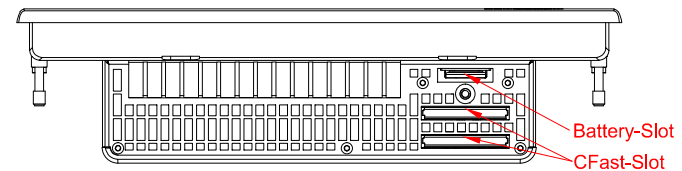


bottom view



cut out dimensions: 247,5mm x 295mm

rear view



top view