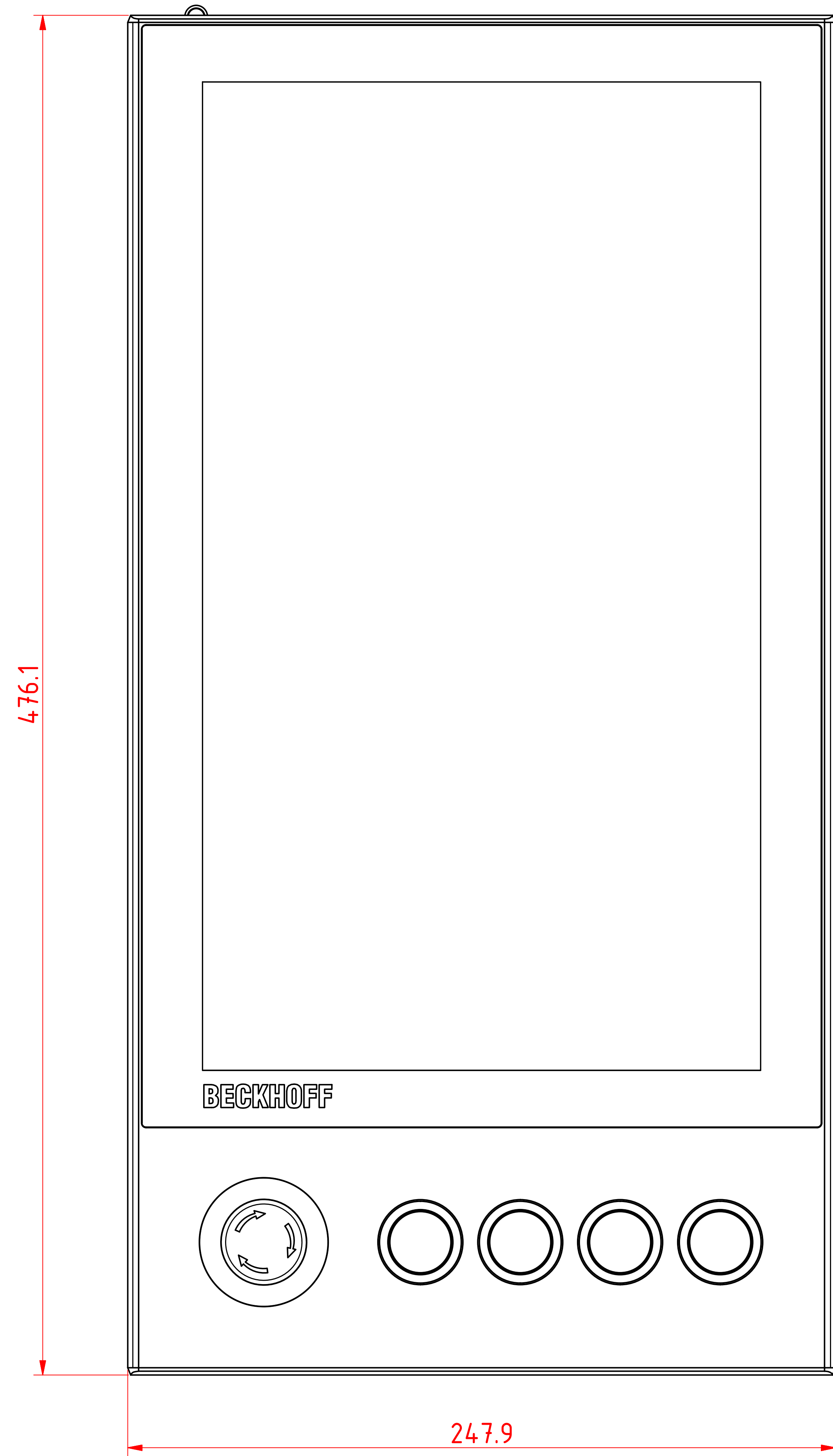
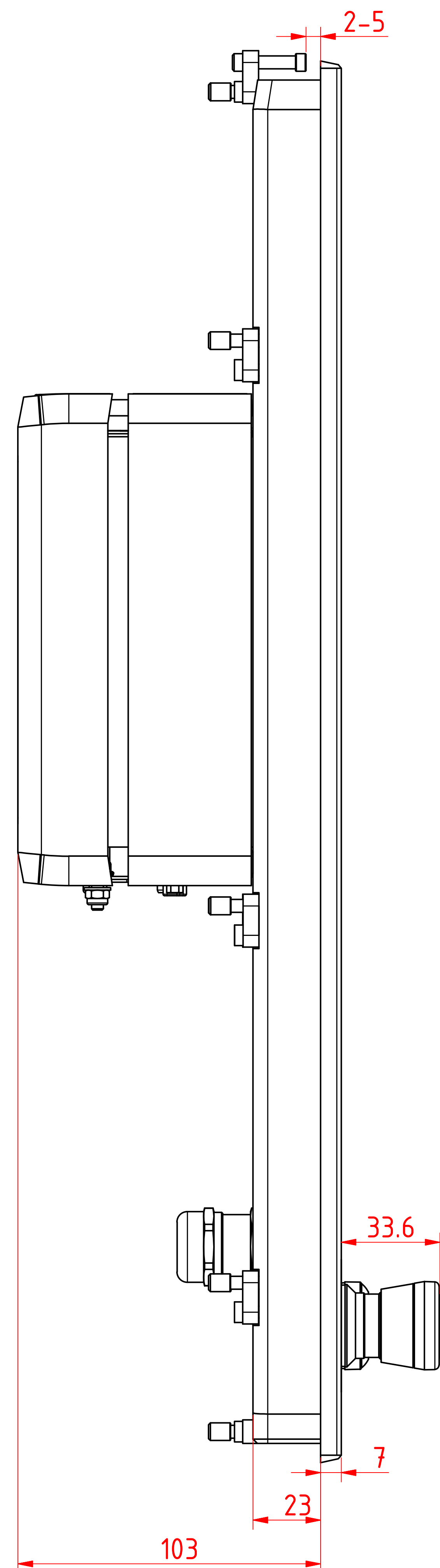


CP2216-G014

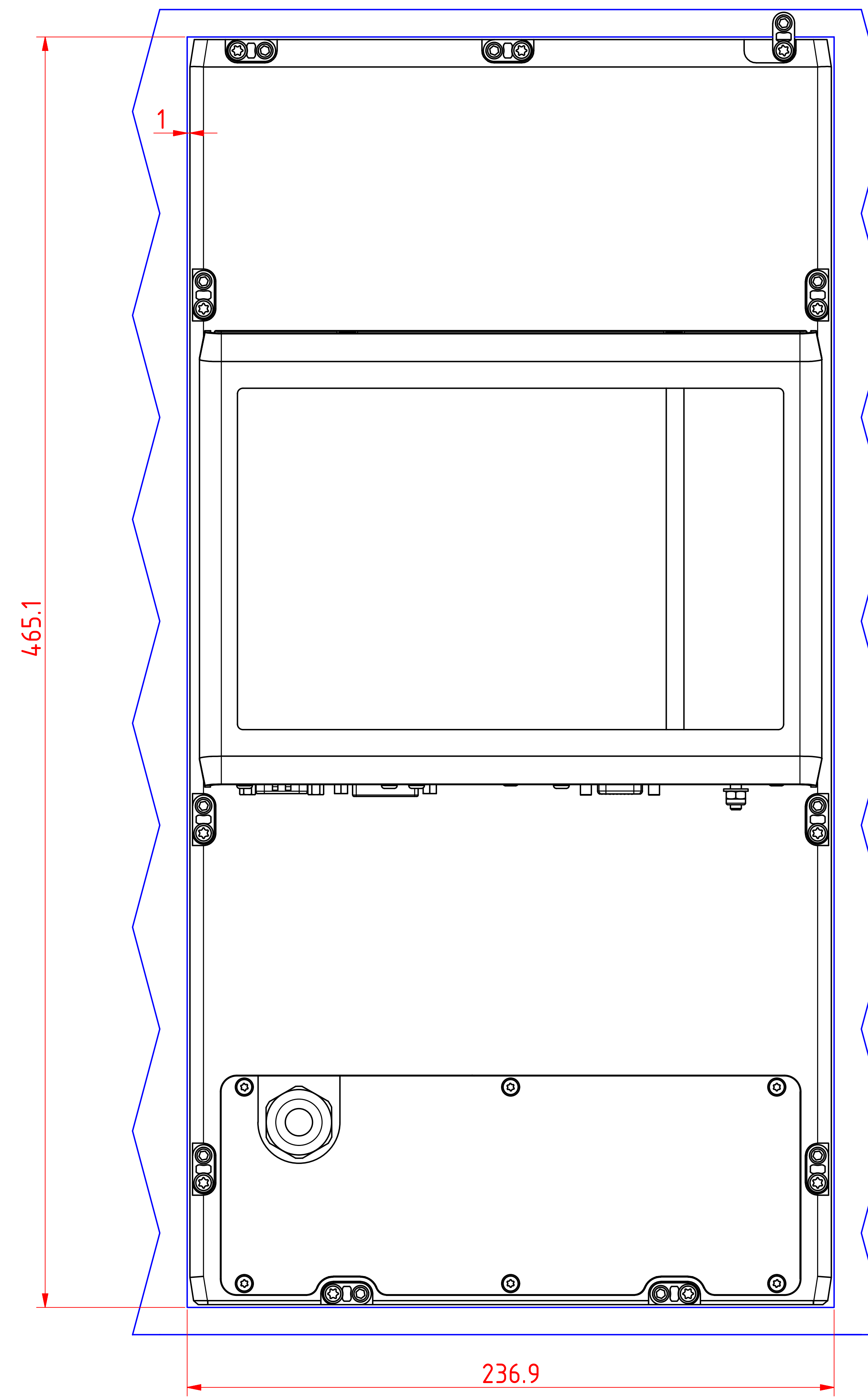
main dimensions and
fixing points
dimensions in mm



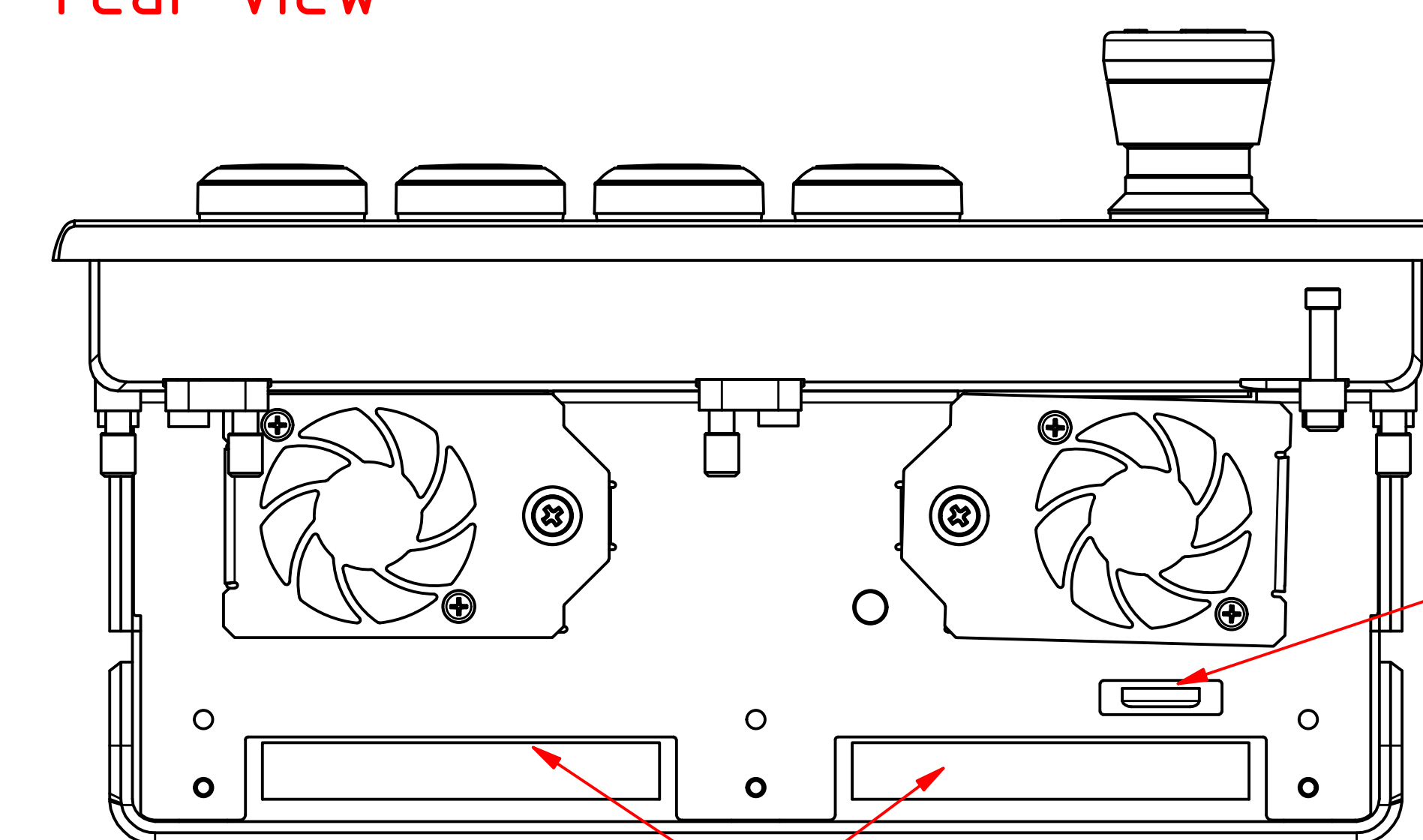
front view



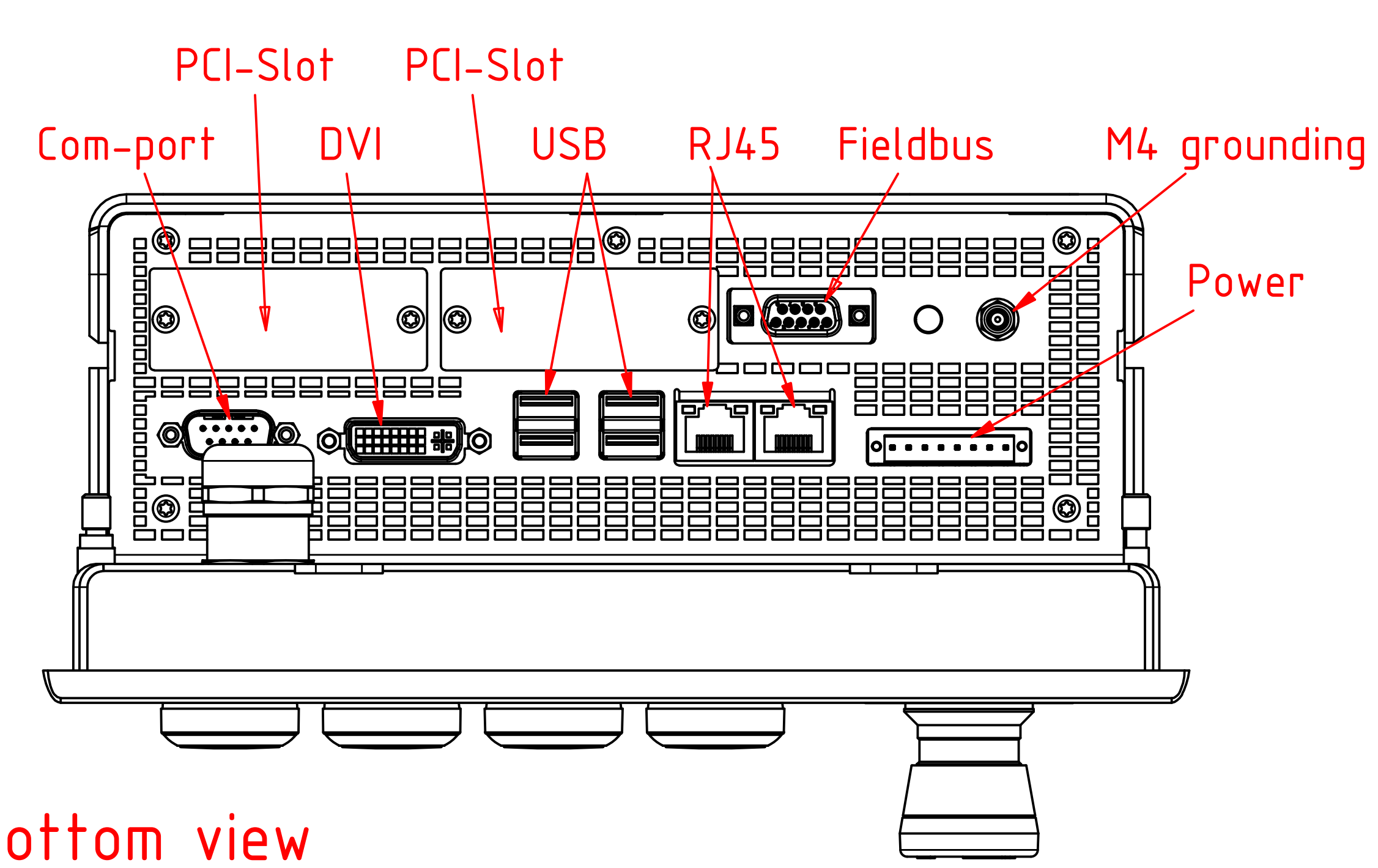
left view



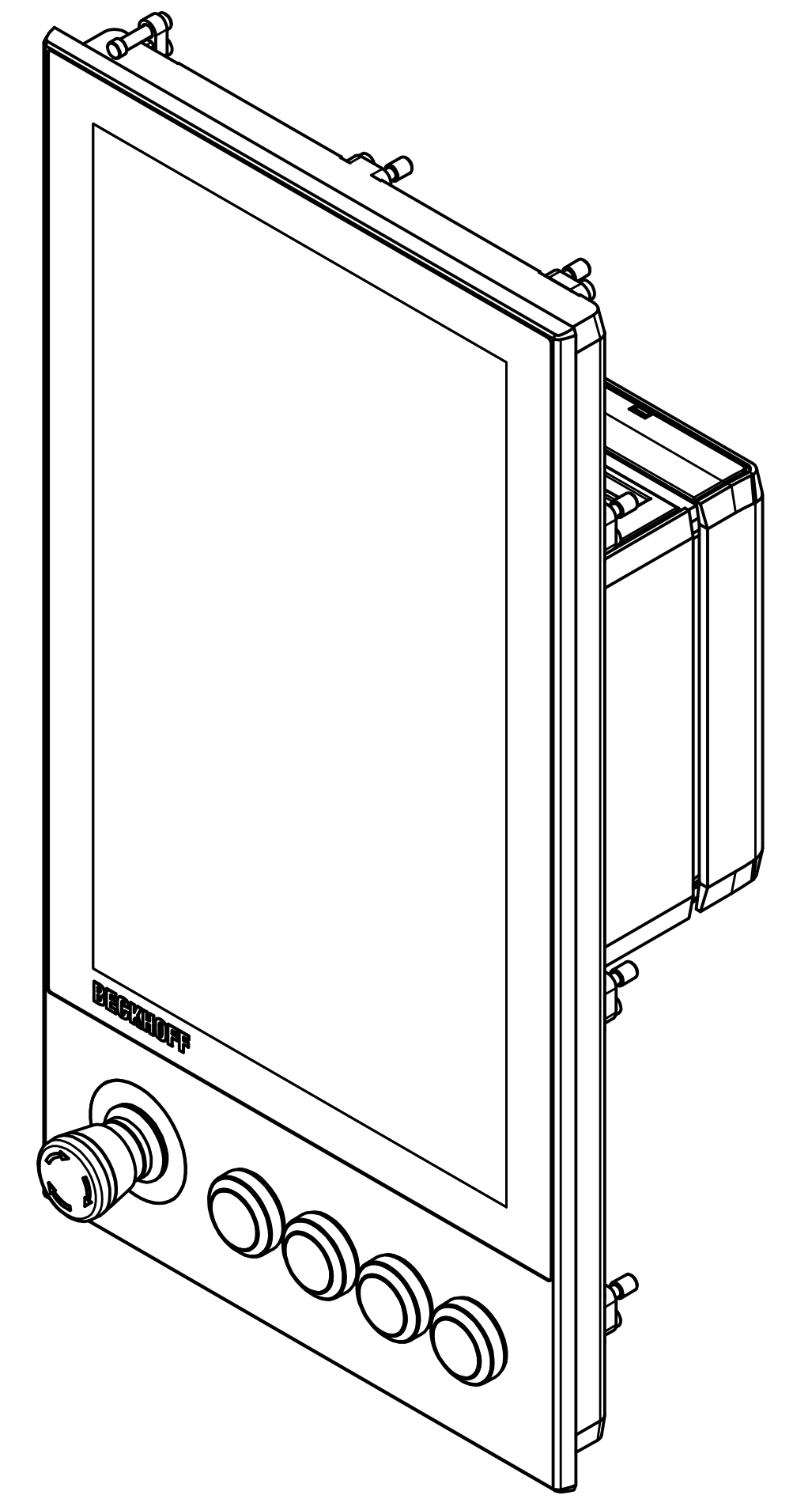
rear view



top view



bottom view



scale (1 : 2)

