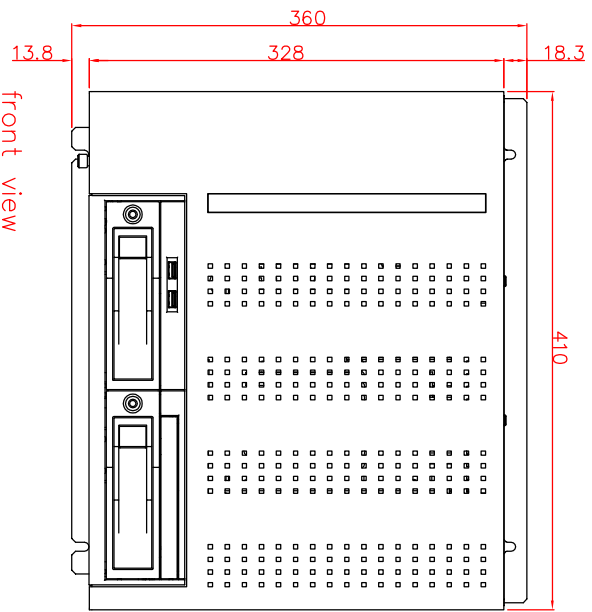


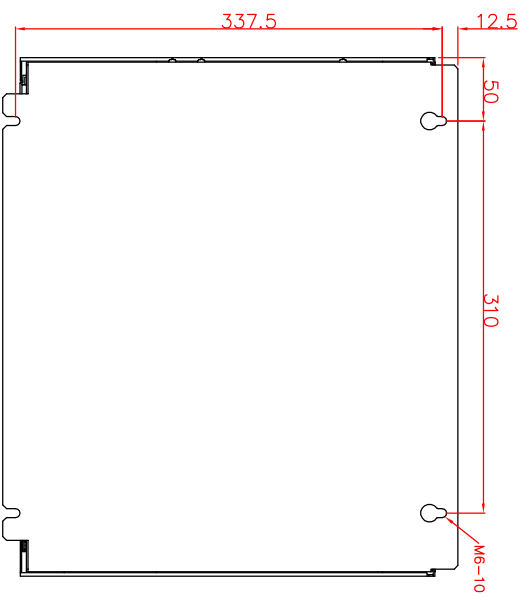
bottom view



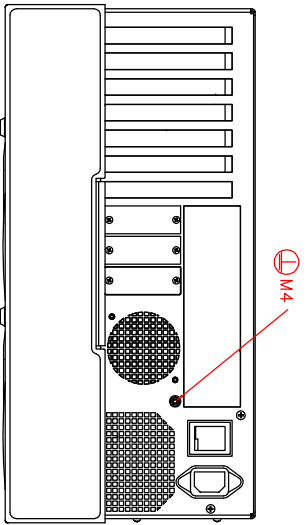
front view



left view



rear view



top view

C6650 – 230V
main dimensions and
fixing points

dimensions in mm