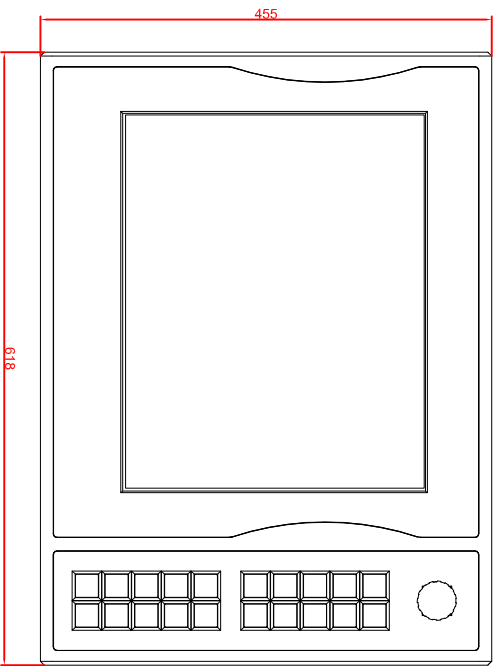
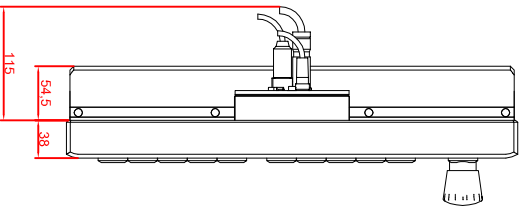


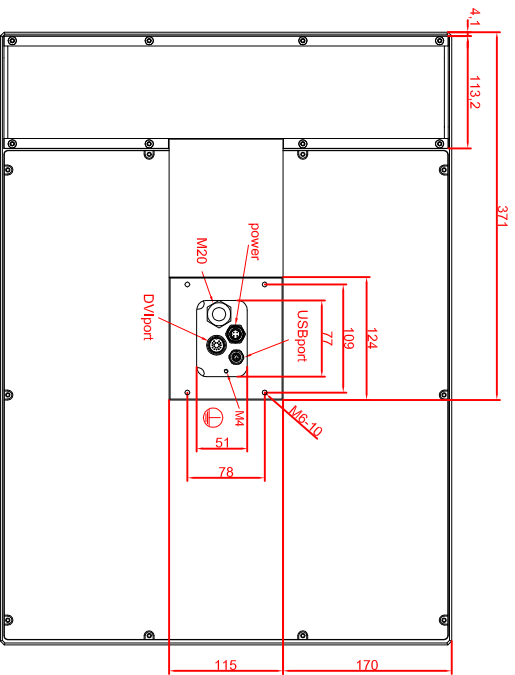
bottom view



front view

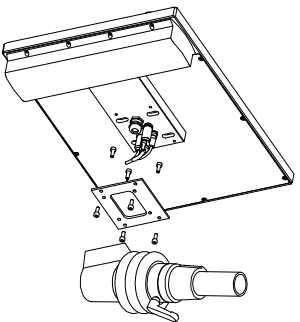


left view

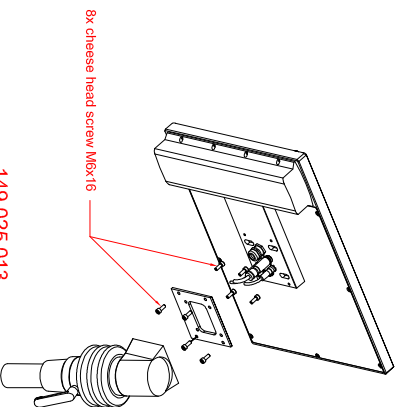


rear view

CP7903-0001-E/28
 arm adapter for
 Roltec - Tara Plus -
 suspension adaption
 main dimensions and
 fixing points
 dimensions in mm



149.025.014



149.025.013