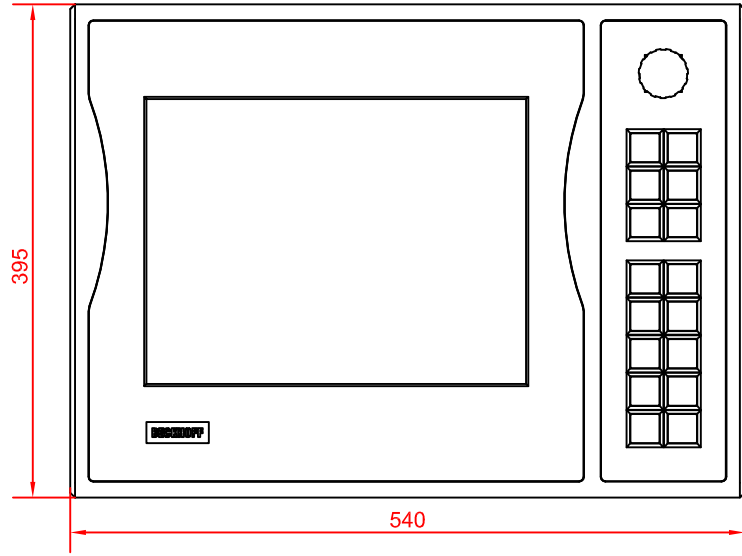
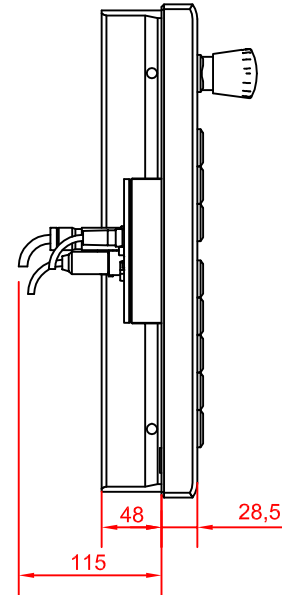


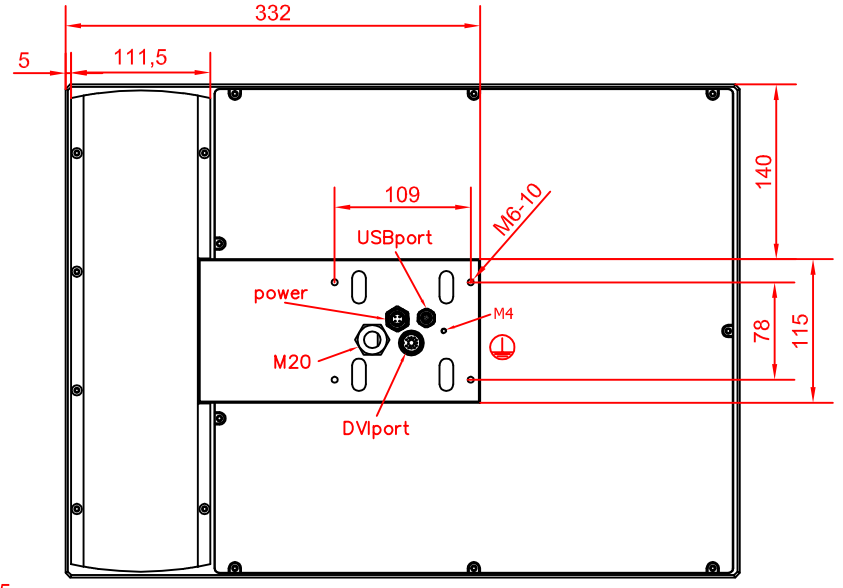
bottom view



front view



left view

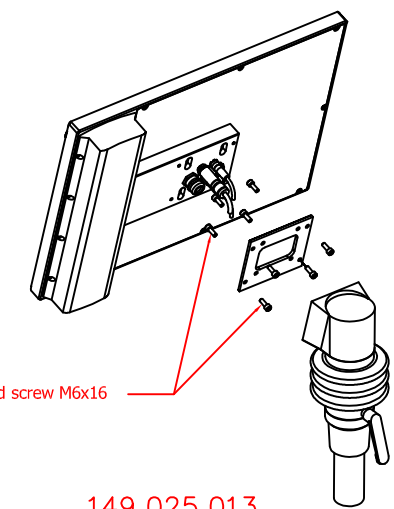


rear view

CP7812-0001-E757  
 arm adapter for  
 Rolec - Tara - suspension adaption  
 146.025.019

main dimensions and  
 fixing points

dimensions in mm



8x cheese head screw M6x16

149.025.013