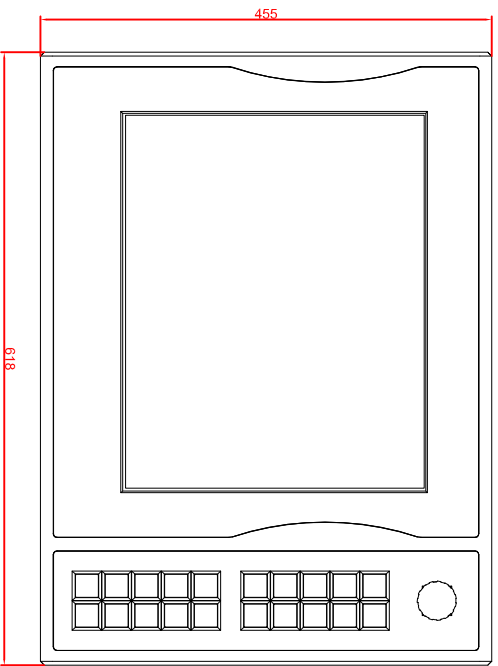
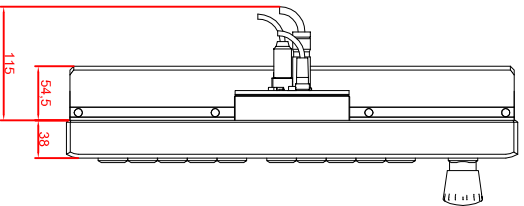


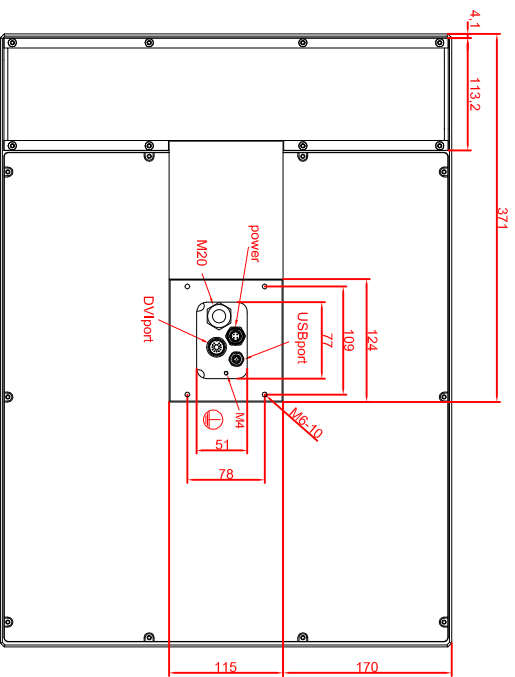
bottom view



front view



left view

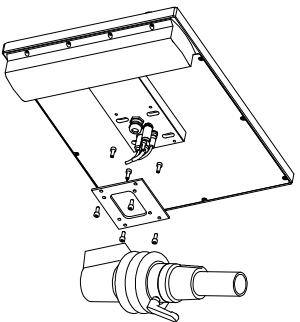


rear view

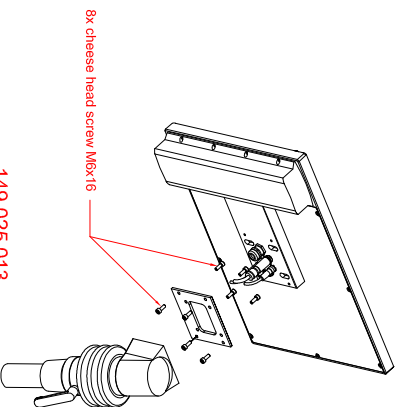
CP7803-0000-E728

arm adapter for
Rolec - Tara Plus -
suspension adaption
main dimensions and
fixing points

dimensions in mm



149.025.014



149.025.013