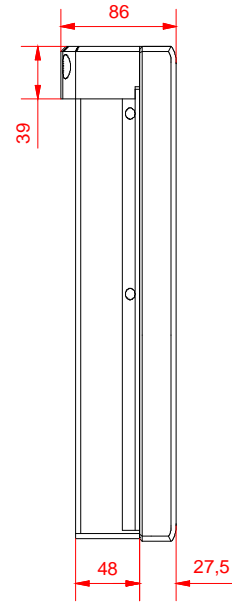
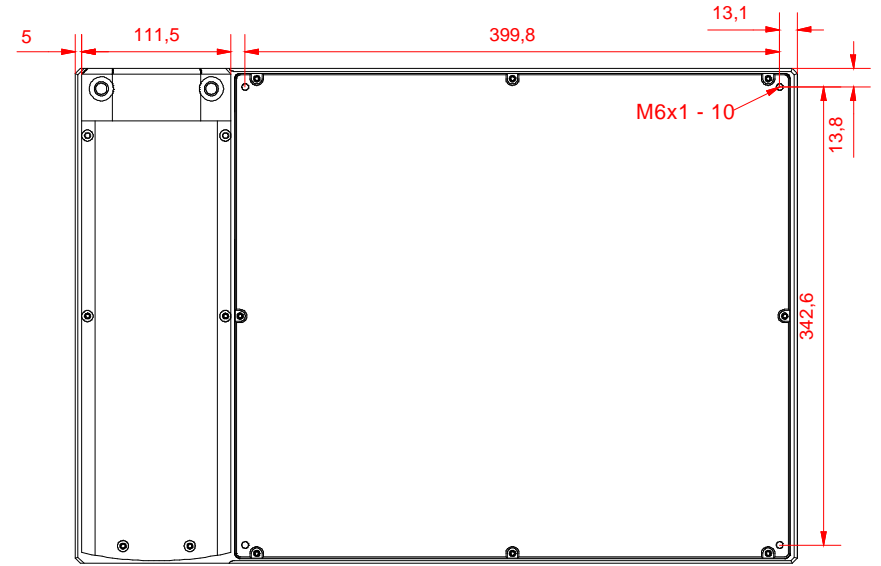


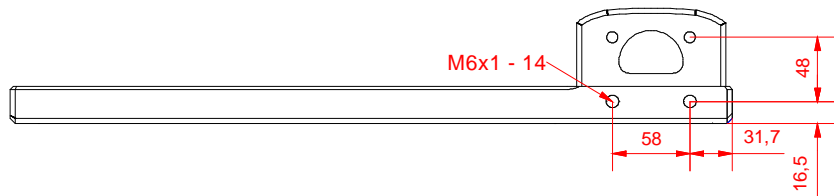
front view



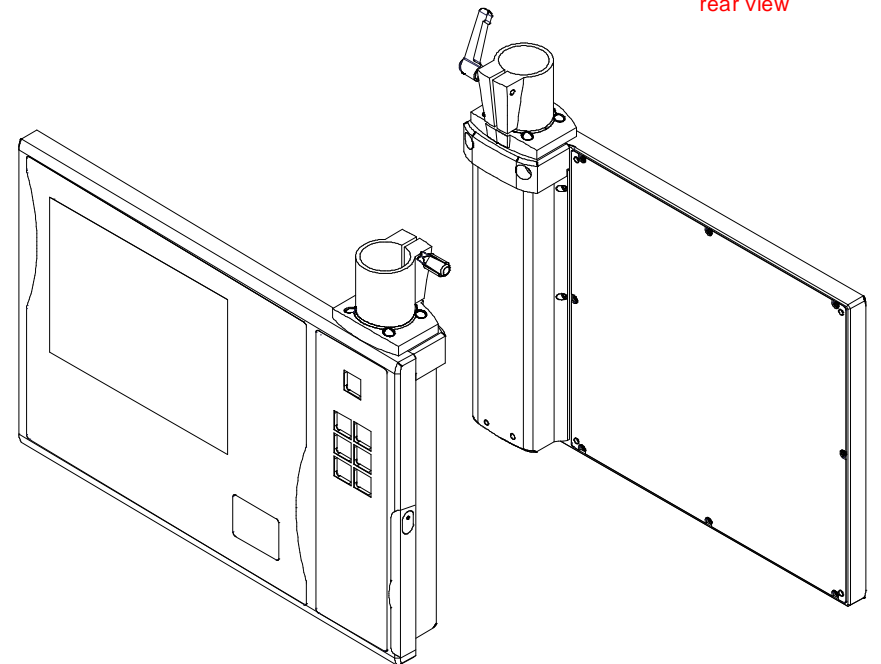
left view



rear view



top view



CP 7037 - 0002 - E626

arm adapter for
Rolec - Tara - suspension adaption
146.025.019

main dimensions and
fixing points

dimensions in mm