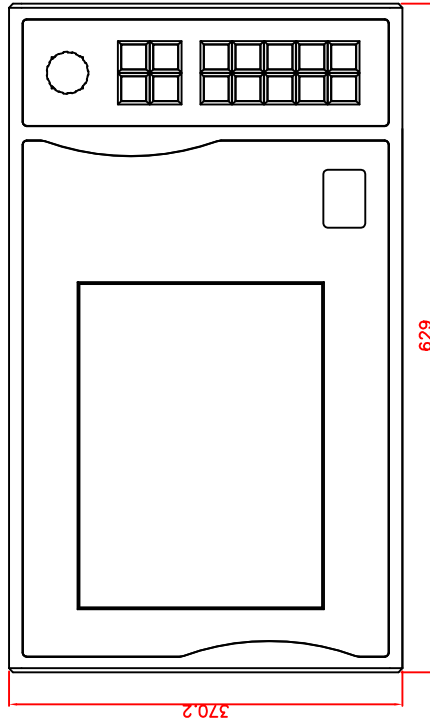
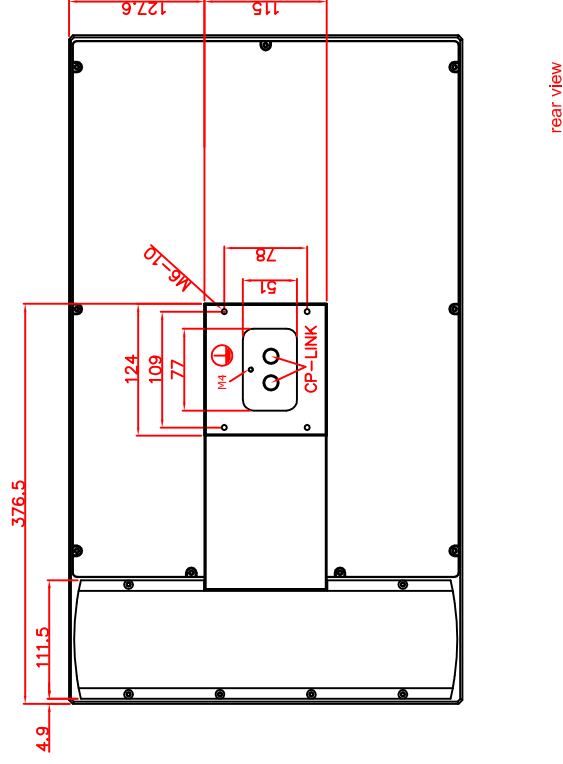


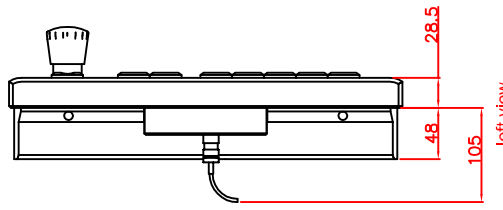
bottom view



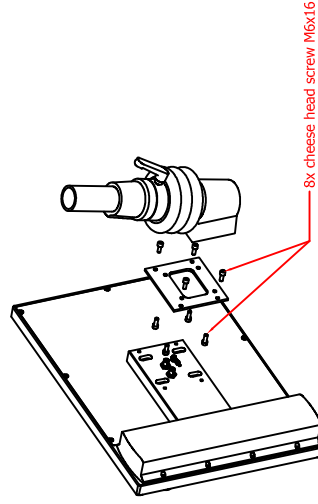
front view



rear view



left view



8x cheese head screw M6x16

149.025.014

CP7022-0002-E666  
arm adapter for  
Rolec - Tara - suspension adaption  
146.025.019

main dimensions and  
fixing points

dimensions in mm