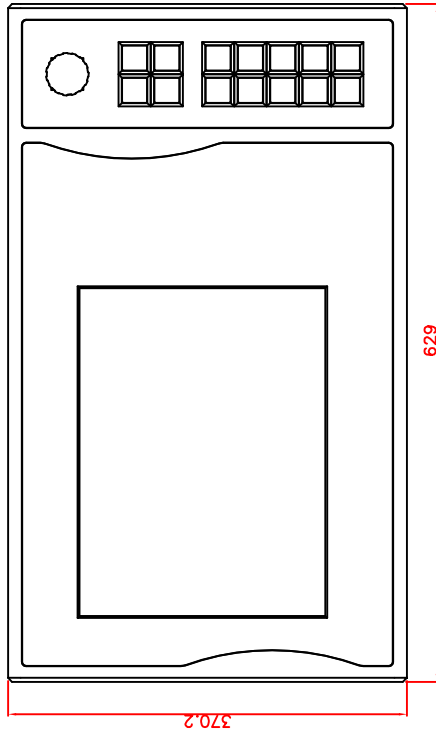
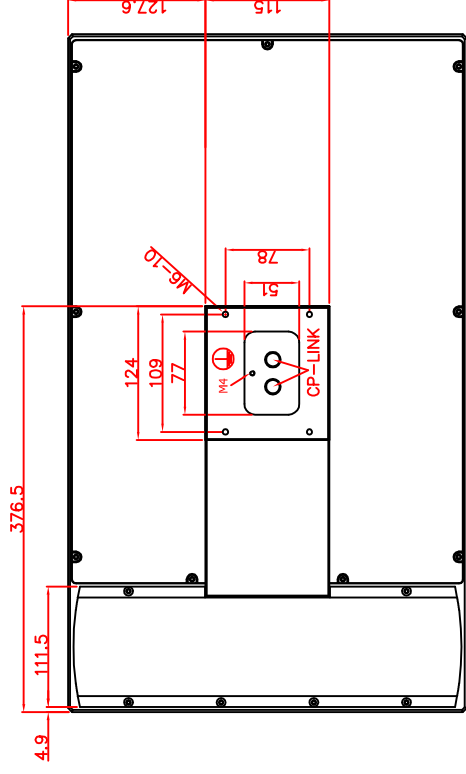


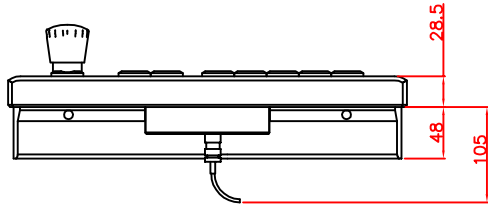
bottom view



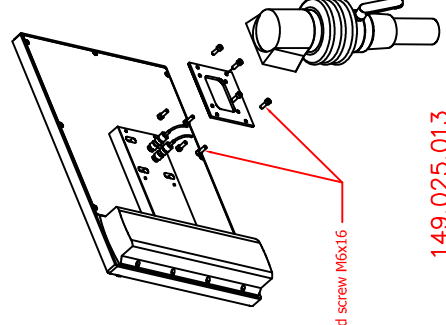
front view



rear view



left view



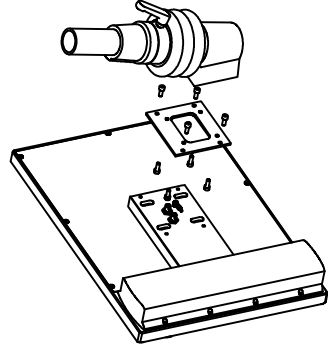
8x cheese head screw M6x16

149.025.013

CP7022-0000-E668  
arm adapter for  
Rolec - Tara - suspension adaptation  
146.025.019

main dimensions and  
fixing points

dimensions in mm



149.025.014