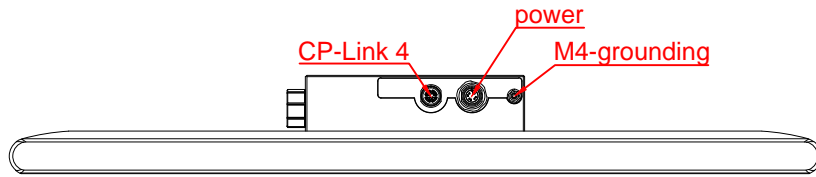
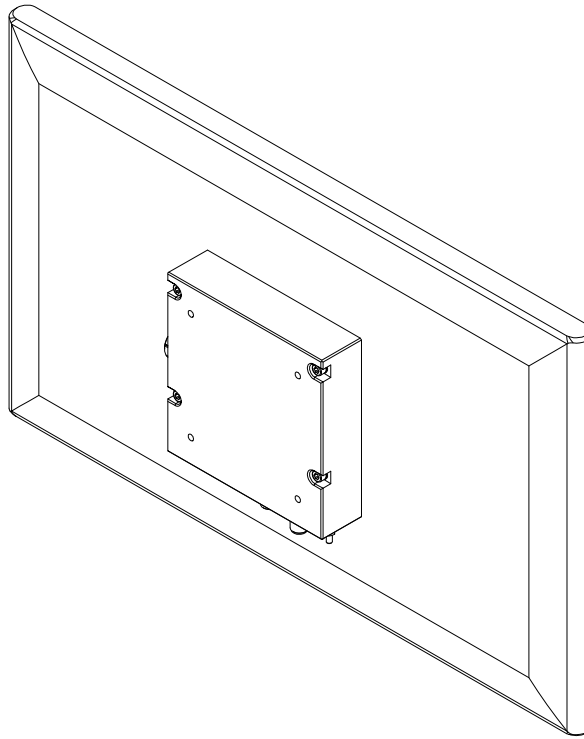
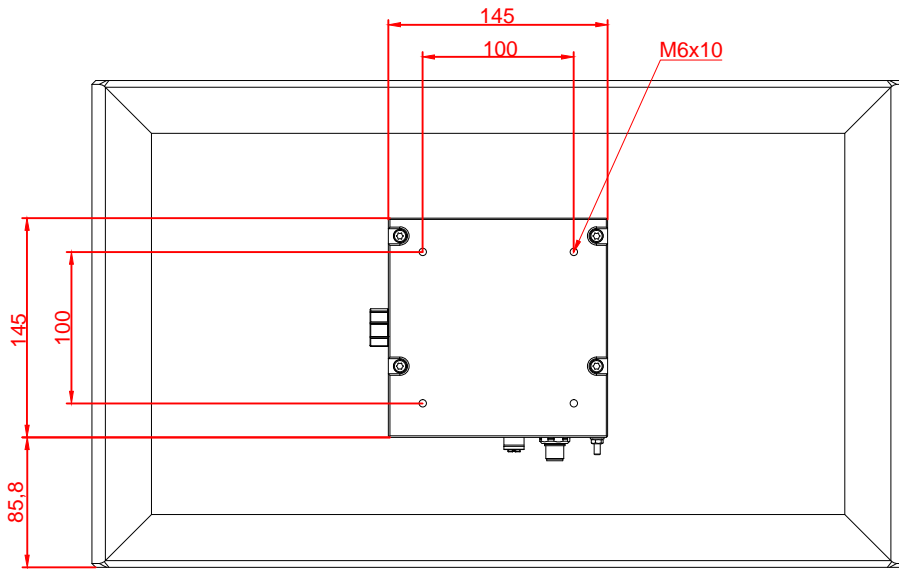


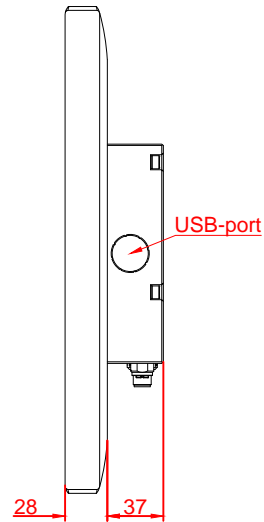
CP3921-0010-E274  
main dimensions and  
fixing points  
dimensions in mm



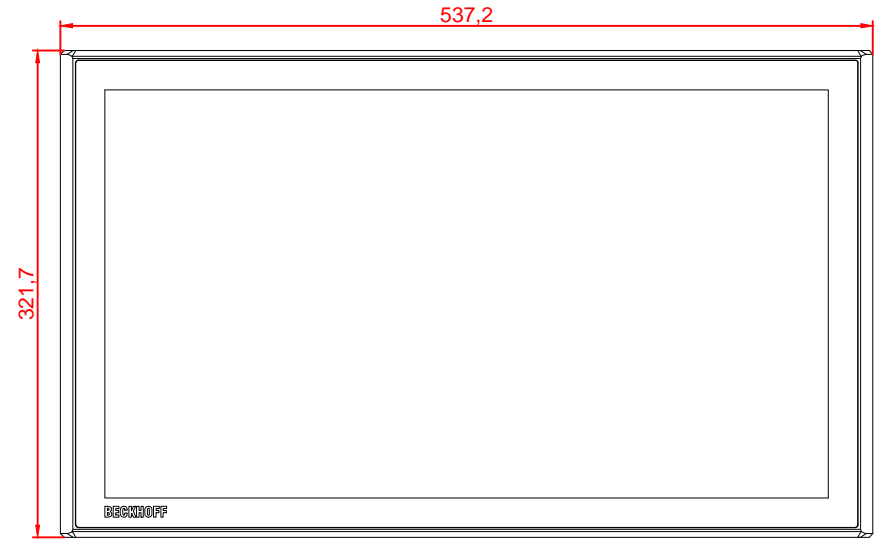
bottom view



rear view



left view



front view