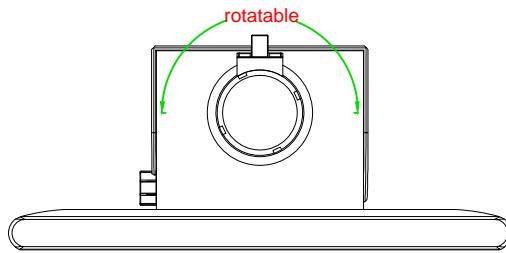


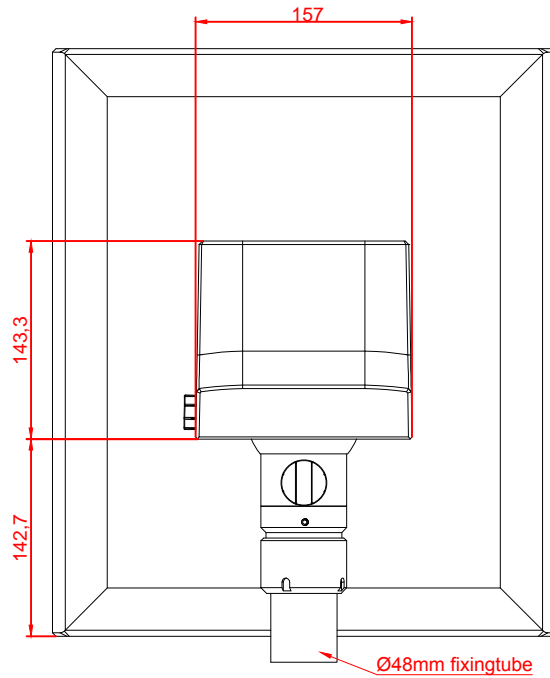
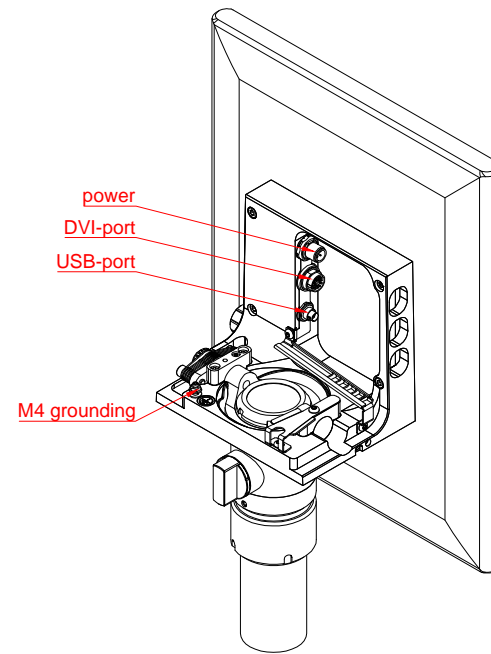
CP3919-M575-M751-E274

main dimensions and
fixing points

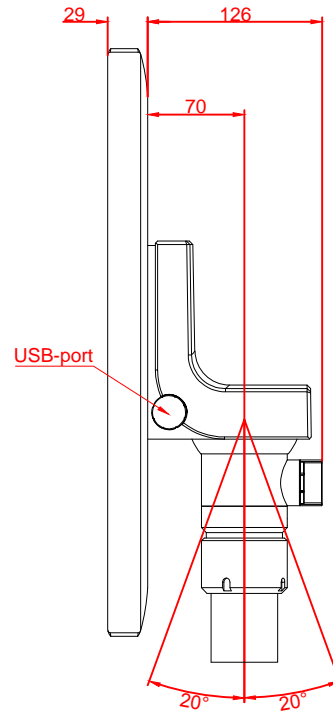
dimensions in mm



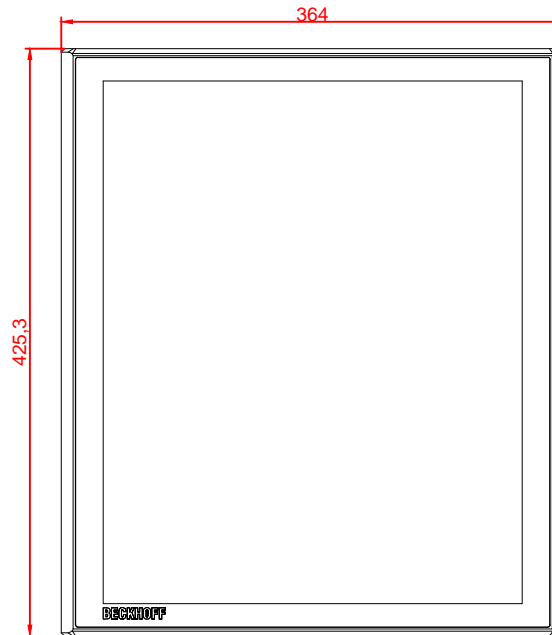
bottom view



rear view



right view



front view