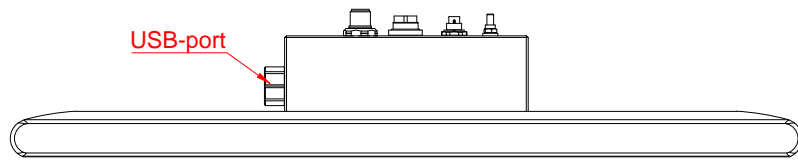


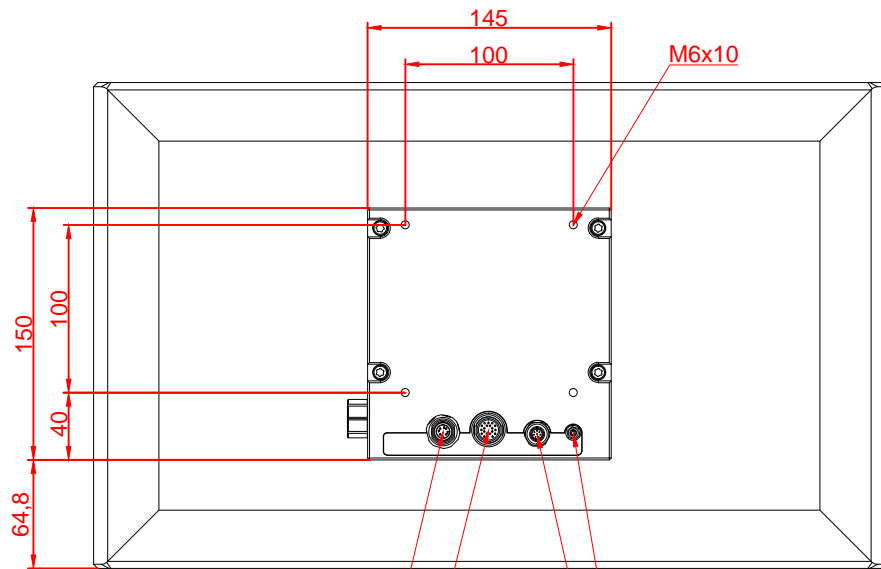
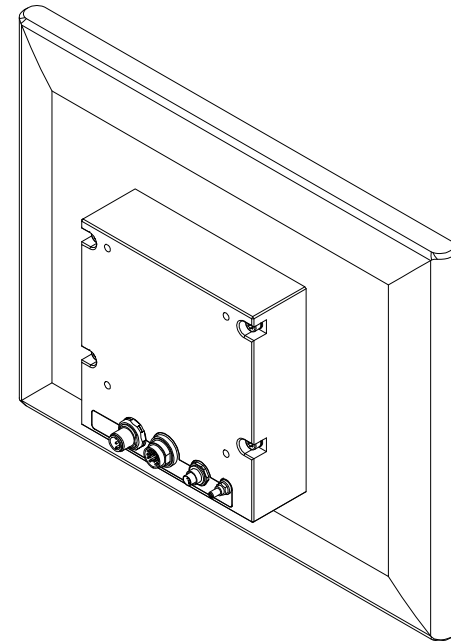
CP3918-M390-E274

main dimensions and
fixing points

dimensions in mm

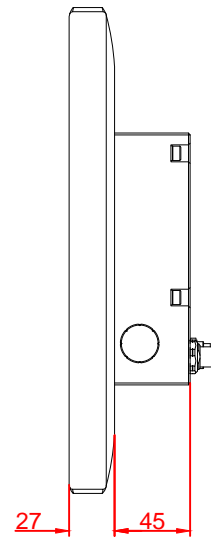


bottom view

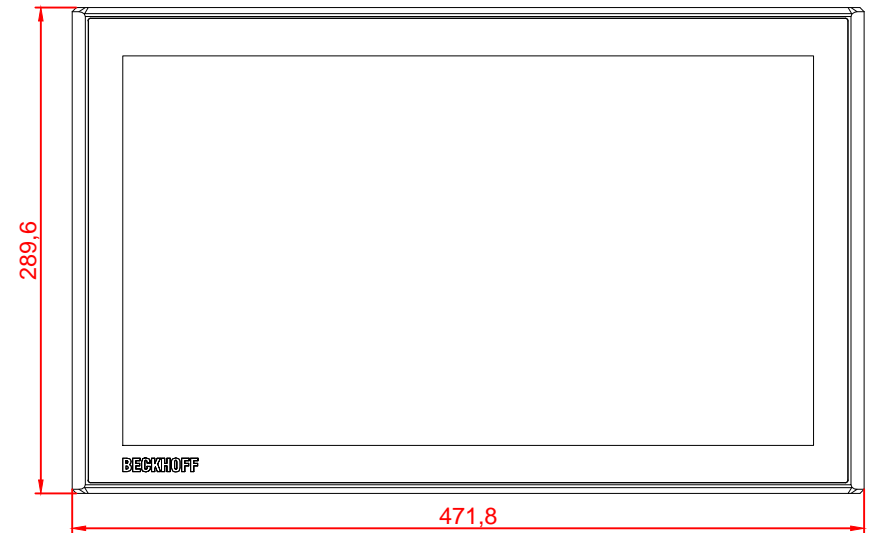


rear view

power
DVI-port
USB-port
M4 grounding



left view



front view