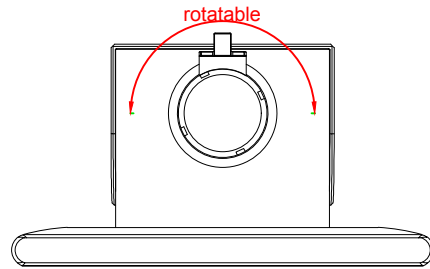


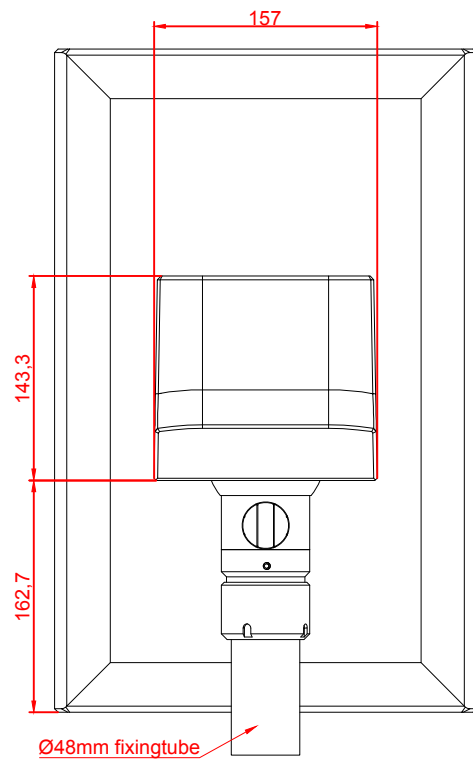
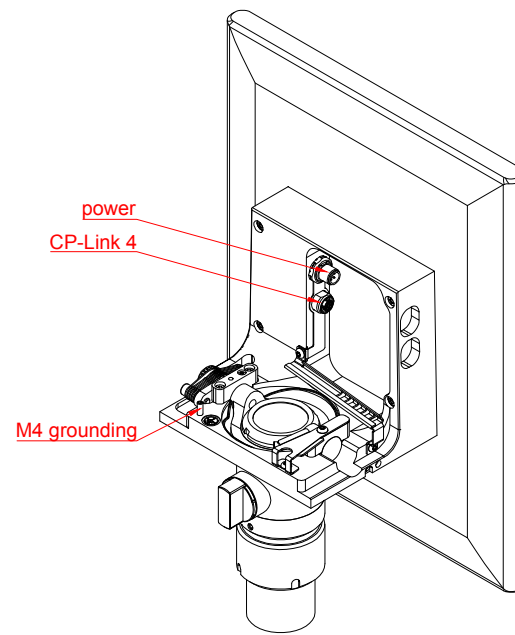
CP3918-0010-M575-M751

main dimensions and  
fixing points

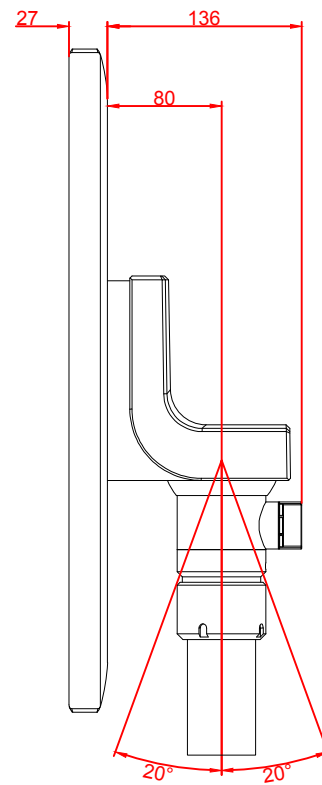
dimensions in mm



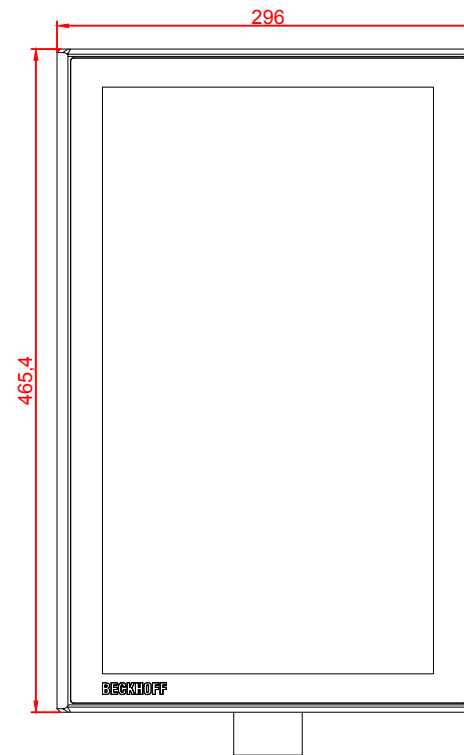
bottom view



rear view



right view



front view